



PIAGGIO & C.s.p.a.



SPARE PARTS CATALOGUE



850 T5 III Serie Civile 850 1985-1988

Chassis prefix: ZGUVR

Engine prefix:

850 T5

GU061



Index

Products.....	3
Part reference.....	4
FRAME.....	10
Drawing 33.01 - Battery.....	10
Drawing 33.02 - Fairing.....	13
Drawing 33.03 - Body.....	15
Drawing 33.04 - Bevel gear.....	17
Drawing 33.05 - Dashboard.....	19
Drawing 33.06 - Headlight-Horn.....	21
Drawing 33.07 - Taillight.....	22
Drawing 33.08 - Air filter.....	23
Drawing 33.09 - Swing arm.....	24
Drawing 33.10 - Rear brake m.cyl. mod.group.....	25
Drawing 33.11 - Electrical system.....	27
Drawing 33.12 - Handlebar - Controls.....	29
Drawing 33.13 - Foot rests - Lateral stand.....	30
Drawing 33.14 - Front master cilinder.....	32
Drawing 33.15 - Rear master cylinder.....	33
Drawing 33.16 - Front wheel.....	36
Drawing 33.17 - Rear wheel.....	37
Drawing 33.18 - Front shock absorber.....	38
Drawing 33.19 - Front/rear shock absorber.....	40
Drawing 33.20 - Frame.....	41
Drawing 33.23 - Fuel supply.....	43
Drawing 33.28 - Exhaust unit.....	44
ENGINE.....	45
Drawing 34.21 - Drive shaft.....	45
Drawing 34.22 - Driven shaft.....	47
Drawing 34.24 - Gear box.....	49
Drawing 34.25 - Carburettors.....	50
Drawing 34.26 - Crankcase.....	53
Drawing 34.27 - Clutch.....	55
Drawing 34.29 - Oil pump.....	56
Drawing 34.30 - Transmission cage.....	58
Drawing 34.31 - Cylinder head.....	60



850 T5
GU061 - 850 T5 III Serie Civile 850 1985-1988

Chassis prefix: ZGUVR
Engine prefix:

Products

Code	Validity
no products	



Code	Drawing Nr.	Pos.	Code	Drawing Nr.	Pos.	Code	Drawing Nr.	Pos.
0000000	33.01	35	GU12087001	34.27	9	GU14038000	34.31	28
0000000	34.25	13	GU12150700	34.29	18	GU14053301	34.21	28
0000000	34.25	15	GU12150900	34.29	16	GU14060655	34.21	25
0000000	34.25	17	GU12154200	34.29	27	GU14060705	34.21	19
0000000	34.25	18	GU12154200	34.30	34	GU14072001	34.21	4
0000000	34.25	20	GU12159000	34.29	19	GU14081811	34.24	3
0000000	34.25	21	GU12207200	34.30	18	GU14085700	34.27	6
0000000	34.25	22	GU12207700	34.30	19	GU14085900	34.27	7
0000000	34.25	23	GU12211700	34.24	12	GU14086000	34.27	8
0000000	34.25	28	GU12327700	33.09	17	GU14086100	34.27	10
0000000	34.25	31	GU12351100	33.04	11	GU14090202	34.27	12
0000000	34.25	35	GU12355202	33.04	18	GU14090400	34.27	14
0000000	34.25	39	GU12355203	33.04	18	GU14102600	33.03	13
0000000	34.25	40	GU12356300	33.04	30	GU14103800	33.20	18
0000000	34.25	41	GU12356400	33.04	31	GU14103955	33.03	2
0000000	34.25	42	GU12434001	33.13	12	GU141040551	33.03	3
0000000	34.25	45	GU12547200	33.09	5	GU14114350	33.23	19
0000000	34.25	47	GU12548201	33.09	11	GU14114460	33.08	3
0000000	34.25	53	GU12548401	33.09	10	GU14115401	33.08	1
0000000	34.25	57	GU12626800	34.22	37	GU14115550	33.23	15
0000000	34.25	58	GU12717600	33.11	27	GU14120901	33.28	1
0000000	34.25	60	GU12717600	34.29	24	GU14120906	33.28	2
0000000	34.25	61	GU12735100	33.10	36	GU14121200	33.28	3
0000000	34.25	62	GU12735100	33.11	26	GU14123400	33.28	12
GU00823931070	33.03	38	GU12735100	33.15	36	GU14126900	33.28	11
GU00823950050	33.10	30	GU12763300	33.05	29	GU14152200	34.29	10
GU00823956080	34.29	31	GU12937200	34.25	24	GU14153000	34.29	13
GU00823956080	34.30	28	GU12937300	34.25	25	GU14158800	34.29	21
GU01007200	34.29	33	GU13021900	34.31	15	GU14200211	34.30	1
GU01153600	34.29	25	GU13036801	34.31	7	GU14201110	34.30	10
GU01336800	33.17	12	GU13037000	34.31	25	GU14204955	34.30	27
GU03158200	34.29	14	GU13037200	34.31	23	GU14210513	34.24	14
GU10032700	34.31	2	GU13037400	34.31	26	GU14210702	34.24	5
GU10034100	34.31	34	GU13037600	34.31	27	GU14211110	34.24	8
GU10158701	34.29	15	GU13054502	34.21	32	GU14211201	34.24	9
GU10528900	33.04	9	GU13061260	34.21	22	GU14211600	34.24	11
GU10528900	33.18	32	GU13084100	34.27	1	GU14212013	34.24	17
GU10528900	34.30	26	GU13147800	34.29	3	GU14212210	34.24	21
GU10934900	34.25	56	GU13148300	34.29	4	GU14213001	34.22	12
GU12001200	34.26	16	GU13148400	34.29	2	GU14213612	34.22	1
GU12003702	34.26	24	GU13211500	34.24	10	GU14213803	34.30	4
GU12003702	34.30	23	GU13432640	33.13	31	GU14214210	34.22	18
GU12003900	34.26	2	GU13932900	34.25	51	GU14214510	34.22	13
GU12006400	34.29	23	GU13933100	34.25	59	GU14214810	34.22	11
GU12006400	34.29	35	GU13934600	34.25	55	GU14215110	34.22	5
GU12006500	34.29	38	GU13936200	34.25	34	GU14215213	34.22	17
GU12006600	34.29	34	GU13936300	34.25	33	GU14215400	34.22	4
GU12007600	34.29	36	GU13936600	34.25	38	GU14217300	34.22	16
GU12011400	34.26	30	GU13936700	34.25	37	GU14217410	34.22	2
GU12011401	34.26	30	GU13937600	34.25	29	GU14217901	33.10	3
GU12011402	34.26	30	GU13937800	34.25	30	GU14217901	34.30	6
GU12011403	34.26	30	GU13937900	34.25	26	GU14218011	34.22	10
GU12011700	34.26	31	GU14000765	34.26	1	GU14218401	34.24	7
GU12011800	34.26	29	GU14001400	34.26	15	GU14219310	34.22	14
GU12012200	34.26	10	GU14003240	34.26	36	GU14219401	34.24	13
GU12018900	34.26	7	GU14003500	34.26	22	GU14230501	34.22	26
GU12021700	34.31	18	GU14003600	34.26	21	GU14230711	34.22	19
GU12021800	34.31	17	GU14003800	34.26	23	GU14231012	34.22	8
GU12022600	34.31	13	GU14011900	34.26	9	GU14231201	34.22	27
GU12031800	34.31	37	GU14011901	34.26	9	GU14231510	34.24	22
GU12038100	34.31	29	GU14018400	34.31	19	GU14232400	34.22	25
GU12054000	34.21	29	GU14020865	34.31	11	GU14232512	34.22	9
GU12065400	34.21	2	GU14023760	34.31	3	GU14234300	34.22	23
GU12067701	34.21	9	GU14030201	34.31	30	GU14234405	34.22	20
GU12082300	34.27	4	GU14030401	34.31	31	GU14234600	34.21	33
GU12082800	34.27	5	GU14034865	34.31	40	GU14234600	34.22	24
GU12082901	34.27	2	GU14037300	34.31	24	GU14235500	34.22	21



Code	Drawing Nr.	Pos.	Code	Drawing Nr.	Pos.	Code	Drawing Nr.	Pos.
GU14237800	34.30	14	GU14748450	33.01	40	GU17675050	33.15	10
GU14251001	33.10	14	GU14756150	33.11	31	GU17675150	33.15	13
GU14251001	33.15	3	GU14756152	33.11	9	GU17704300	33.01	28
GU14251001	34.22	40	GU14756250	33.11	32	GU17712400	33.01	1
GU14335203	33.17	11	GU14756251	33.11	12	GU17715450	33.01	51
GU14335350	33.17	10	GU14756255	33.06	7	GU17718350	33.01	6
GU14335650	33.17	9	GU14762510	33.05	28	GU17719900	33.01	4
GU14418200	33.13	7	GU14766110	33.05	30	GU17742550	33.11	6
GU14423800	33.13	21	GU14768650	33.05	31	GU17743000	33.11	1
GU14429500	33.13	35	GU14769200	33.05	7	GU17743100	33.11	3
GU14429600	33.13	36	GU14931050	34.25	43	GU17746360	33.05	4
GU14429800	33.13	38	GU14931350	34.25	52	GU17748500	33.01	34
GU14429900	33.13	37	GU14931650	34.25	36	GU17750400	33.11	25
GU14432900	33.13	11	GU14933000	34.25	9	GU17750520	33.11	23
GU14433200	33.13	10	GU14934650	34.25	16	GU17751200	33.11	24
GU14433400	33.13	16	GU14936400	33.18	22	GU17755783	33.11	16
GU14433400	34.21	34	GU14936450	34.25	49	GU17755860	33.11	15
GU14433500	33.13	13	GU14936550	34.25	48	GU17756000	33.11	13
GU14438750	33.02	5	GU14936650	34.25	50	GU17756060	33.11	29
GU14494600	33.19	3	GU14936850	34.25	46	GU17756160	33.11	28
GU14498550	33.09	19	GU14936950	34.25	44	GU17761560	33.05	3
GU14498550	33.14	11	GU14938050	34.25	14	GU17762200	33.05	9
GU14498550	33.15	40	GU17006250	34.29	37	GU17765560	33.05	15
GU14516700	33.19	4	GU17034050	34.31	33	GU17767260	33.05	6
GU14517000	33.19	5	GU17045860	34.21	27	GU17768750	34.29	22
GU14547001	33.09	6	GU17060451	34.21	18	GU17783960	33.05	12
GU14547800	33.09	4	GU17060900	34.21	20	GU17784960	33.05	10
GU14603000	33.12	13	GU17061000	34.21	21	GU17936067	34.25	6
GU14603500	33.12	12	GU17067050	34.21	7	GU17937167	34.25	19
GU14609650	33.07	17	GU17067900	34.21	10	GU17937450	34.25	27
GU14609650	33.11	18	GU17093850	33.10	17	GU17939167	34.25	8
GU14609650	33.15	44	GU17093850	33.15	62	GU17999550	34.26	34
GU14609650	33.20	34	GU17093850	34.27	19	GU18001150	34.26	13
GU14615901	33.01	57	GU17121061	33.28	4	GU18001650	34.26	20
GU14615901	33.04	4	GU17123962	33.28	8	GU18064204	34.21	1
GU14615901	33.10	7	GU17133151	33.23	6	GU18105001	33.03	5
GU14615901	33.28	5	GU17133550	33.23	7	GU18200802	34.30	11
GU14615901	34.21	11	GU17133560	33.23	8	GU18211050	34.24	15
GU14615901	34.21	8	GU17350250	33.04	1	GU18211051	34.24	15
GU14616150	33.16	10	GU17350400	33.04	23	GU18211052	34.24	15
GU14616150	33.17	18	GU17350700	33.04	24	GU18211054	34.24	15
GU14632250	33.17	17	GU17351400	33.04	28	GU18352400	33.04	15
GU14634050	33.17	15	GU17354650	33.04	29	GU18355100	33.04	17
GU14634400	33.17	4	GU17355400	33.04	25	GU18513460	33.18	38
GU14659000	33.14	19	GU17355402	33.04	25	GU18513560	33.18	39
GU14659000	33.15	58	GU17355404	33.04	25	GU18516660	33.18	8
GU14659100	33.14	18	GU17355406	33.04	25	GU18548000	33.09	9
GU14659100	33.15	59	GU17355408	33.04	25	GU18667450	33.15	20
GU14659450	33.15	55	GU17355410	33.04	25	GU18720150	33.06	4
GU147040501	33.20	36	GU17355412	33.04	25	GU18720150	33.11	33
GU14704205	33.01	29	GU17420350	33.13	19	GU18745701	33.05	34
GU14705500	33.01	38	GU17424150	33.20	7	GU19104336	33.03	7
GU14712459	33.01	23	GU17444250	33.13	29	GU19104950	33.03	6
GU14715420	33.01	59	GU17478550	33.20	20	GU19128660	33.28	16
GU14715700	33.01	55	GU17489645	33.20	32	GU19128760	33.28	17
GU14716200	33.01	53	GU17500200	33.18	41	GU19157800	33.10	39
GU14716400	33.01	52	GU17530260	33.19	17	GU19258220	34.22	32
GU14716503	33.01	10	GU17615360	33.16	3	GU19355320	33.04	19
GU14716750	33.20	35	GU17634150	33.17	5	GU19355321	33.04	19
GU14717400	33.01	8	GU17654760	33.14	15	GU19355322	33.04	19
GU14717600	33.01	7	GU17654760	33.15	56	GU19355323	33.04	19
GU14719800	33.01	60	GU17659260	33.14	17	GU19355324	33.04	19
GU14730558	33.01	45	GU17659260	33.15	60	GU19355325	33.04	19
GU14730570	33.01	46	GU17659350	33.15	54	GU19355326	33.04	19
GU14736856	33.01	27	GU17659650	33.15	43	GU19355327	33.04	19
GU14736856	33.03	4	GU17667551	33.15	21	GU19355328	33.04	19
GU14747455	33.11	14	GU17667651	33.15	22	GU19355329	33.04	19



Code	Drawing Nr.	Pos.	Code	Drawing Nr.	Pos.	Code	Drawing Nr.	Pos.
GU19434000	33.13	6	GU28438000	33.02	22	GU28652301	33.15	52
GU19478550	33.03	32	GU28438900	33.20	40	GU28653001	33.14	8
GU19659500	33.10	40	GU28439800	33.07	4	GU28654601	33.14	16
GU19707100	33.01	25	GU28440710	33.13	24	GU28654601	33.15	57
GU19732400	33.11	8	GU28441810	33.13	17	GU28655700	33.14	6
GU19732500	33.01	42	GU28442200	33.13	27	GU28655700	33.15	49
GU19733350	33.01	26	GU28442310	33.13	28	GU28657140	33.14	3
GU19741336	33.01	63	GU28443201	33.13	25	GU28657500	33.15	32
GU19768680	33.05	18	GU28443510	33.13	22	GU28658500	33.10	31
GU19938880	34.25	11	GU28446010	33.13	23	GU28658500	33.15	31
GU20527620	33.18	23	GU28460500	33.03	27	GU28658700	33.15	42
GU23105460	33.03	11	GU28461300	33.03	34	GU28658840	33.15	51
GU23105461	33.03	12	GU28461301	33.03	35	GU28659300	33.14	14
GU25656100	33.10	33	GU28464301	33.03	24	GU28659700	33.15	45
GU25656100	33.14	5	GU28468400	33.03	14	GU28659740	33.15	7
GU25656100	33.15	28	GU284726001	33.03	20	GU28660200	33.14	1
GU25656102	34.29	28	GU284746001	33.02	13	GU28661100	33.14	13
GU25706700	33.01	41	GU284762001	33.03	28	GU28666748	33.10	5
GU27061385	34.21	23	GU284763001	33.03	29	GU28668046	33.15	26
GU274366201	33.02	11	GU28476750	33.03	37	GU28675048	33.10	25
GU27740985	33.07	1	GU28479600	33.03	33	GU28675148	33.10	41
GU28004950	34.26	28	GU28479700	33.03	36	GU28676548	33.10	12
GU28022000	34.31	9	GU28490315	33.19	1	GU28676548	33.15	1
GU28022100	34.31	5	GU28490342	33.19	1	GU28704850	33.01	37
GU28022200	34.31	6	GU28492700	33.18	37	GU28704900	33.01	64
GU28023510	34.31	1	GU28493100	33.18	5	GU28707050	33.01	36
GU28058060	34.21	36	GU28494010	33.18	1	GU28726300	33.11	20
GU28060145	34.31	42	GU28496110	33.18	35	GU28727200	33.11	10
GU28060245	34.31	10	GU28496210	33.18	36	GU28738040	33.12	2
GU28084460	34.27	3	GU28521040	33.18	29	GU28740560	33.06	1
GU28093011	34.27	18	GU285225401	33.18	9	GU28741100	33.12	7
GU281002001	33.03	1	GU285226401	33.18	10	GU28743760	33.06	15
GU28108410	33.23	12	GU28524500	33.18	15	GU28743761	33.06	14
GU28109040	33.20	33	GU28525440	33.18	13	GU28745800	33.02	18
GU28112610	33.23	1	GU28526440	33.18	16	GU28747140	33.11	7
GU28112611	33.23	2	GU28526540	33.18	20	GU28747200	33.11	11
GU28113450	33.08	5	GU28526640	33.18	26	GU28747350	33.11	17
GU28113650	33.08	7	GU28526940	33.18	24	GU28750340	33.12	3
GU28114050	33.08	6	GU28527540	33.18	48	GU28751300	33.06	12
GU28114350	33.08	8	GU28527940	33.18	25	GU28751650	33.06	9
GU28117511	33.23	3	GU28528250	33.18	17	GU28751650	33.07	16
GU28135660	33.23	4	GU28528950	33.19	23	GU28751750	33.07	11
GU28150560	34.29	41	GU28529650	33.18	19	GU28753750	33.06	11
GU28157050	33.08	17	GU28540200	33.09	1	GU28753750	33.07	10
GU28157450	34.29	29	GU28550240	33.19	6	GU28760410	33.05	5
GU28157750	33.08	19	GU28555200	33.04	32	GU28764000	33.05	2
GU28157850	33.08	4	GU28556350	33.18	18	GU28766200	33.05	16
GU28157850	34.29	30	GU285754101	33.02	26	GU28766950	33.05	21
GU28157950	33.08	18	GU28576010	33.02	29	GU28768150	33.05	8
GU28157950	34.29	32	GU28577210	33.02	28	GU28769550	33.05	20
GU28236260	34.22	28	GU28578600	33.05	22	GU28782550	33.20	2
GU28238261	34.22	29	GU28578810	33.19	7	GU28900040	33.01	62
GU28252010	33.10	13	GU28603600	33.12	10	GU28900041	33.01	62
GU28252010	33.15	2	GU28603860	33.12	9	GU28917300	33.03	10
GU28252010	34.22	42	GU28605100	33.05	35	GU28922000	33.03	30
GU28257510	34.22	39	GU28605100	33.12	14	GU28923400	33.02	32
GU28258160	34.22	47	GU28605400	33.12	5	GU28929940	33.01	61
GU28326350	33.09	16	GU28605500	33.12	8	GU28933400	33.03	23
GU28350345	33.04	2	GU28610300	33.16	1	GU28935511	34.25	3
GU28351260	33.04	6	GU28613300	33.16	4	GU28935711	34.25	4
GU28400145	33.20	1	GU28613300	33.17	20	GU28937511	34.25	1
GU28415500	33.15	35	GU28614100	33.16	7	GU28937711	34.25	2
GU28422110	33.13	20	GU28616300	33.16	6	GU28939011	34.25	7
GU28424800	33.20	6	GU28630642	33.17	1	GU28939911	34.25	63
GU28432010	33.13	3	GU28633300	33.17	6	GU28991045	34.26	38
GU284344001	33.02	1	GU28635800	33.15	41	GU28991560	34.30	37
GU28437010	33.02	10	GU28652301	33.15	37	GU28999050	34.26	33



Code	Drawing Nr.	Pos.	Code	Drawing Nr.	Pos.	Code	Drawing Nr.	Pos.
GU28999648	33.10	42	GU62497820	33.19	8	GU92218424	34.30	7
GU29036050	34.31	21	GU62616800	33.16	11	GU92234717	34.30	8
GU29036150	34.31	22	GU62616800	33.17	2	GU92249217	33.09	8
GU29106500	33.23	11	GU63657000	33.10	35	GU92249225	33.19	2
GU29115020	33.23	13	GU63657000	33.15	27	GU92249227	33.04	14
GU29122900	33.28	10	GU65604400	33.12	6	GU92251022	34.22	7
GU29123000	33.28	9	GU65723001	33.11	30	GU92251030	34.22	50
GU29482000	33.19	9	GU65758970	33.05	17	GU92251030	34.24	20
GU29541850	33.09	15	GU65933700	34.25	32	GU92252210	34.29	5
GU29667000	33.15	19	GU66935910	34.25	5	GU92254340	33.04	12
GU29703800	33.01	17	GU90118152	34.31	36	GU92256218	34.30	3
GU29783061001	33.05	11	GU90271020	33.09	18	GU92258525	34.24	16
GU30057810	34.21	37	GU90271055	33.17	14	GU92259017	34.22	6
GU30061500	34.21	13	GU90272062	33.09	13	GU92295702	34.22	15
GU30062000	34.21	17	GU90353016	34.31	8	GU92296750	34.24	18
GU30062001	34.21	17	GU90402840	34.26	17	GU92602204	33.02	17
GU30062002	34.21	17	GU90403040	33.09	7	GU92602204	33.02	20
GU30062003	34.21	17	GU90403547	34.30	2	GU92602205	33.01	33
GU30062260	34.21	16	GU90403548	34.30	31	GU92602205	33.06	6
GU30146400	34.29	1	GU90403850	33.04	10	GU92602206	33.10	21
GU30147700	34.29	6	GU90403857	33.18	14	GU92602206	33.15	5
GU30147701	34.29	6	GU90405367	34.26	32	GU92602206	34.22	38
GU30250810	34.22	41	GU90407085	33.04	27	GU92602208	33.01	50
GU30252360	33.10	15	GU90706094	34.31	12	GU92602208	33.05	26
GU30252360	33.15	6	GU90706108	33.10	19	GU92602208	33.13	2
GU30252360	34.22	45	GU90706108	33.15	61	GU92602208	33.15	25
GU30328031	33.09	12	GU90706108	34.22	49	GU92602208	33.18	44
GU30356760	33.04	13	GU90706140	34.30	12	GU92602208	33.28	15
GU30430310	33.13	9	GU90706170	34.27	11	GU92602208	34.26	6
GU30600310	33.12	1	GU90706203	34.22	51	GU92602308	33.18	40
GU30661100	33.10	9	GU90706203	34.24	6	GU92602308	34.29	7
GU30665000	33.10	8	GU90706203	34.31	14	GU92602312	33.13	33
GU30666960	33.10	1	GU90706219	34.22	46	GU92602312	33.20	24
GU30717010	33.01	9	GU90706235	34.24	4	GU92602316	33.17	3
GU30730711	33.01	44	GU90706282	33.18	21	GU92602410	33.07	15
GU31735360	33.01	22	GU90706490	33.17	13	GU92602508	34.27	15
GU35782780	33.20	4	GU90706584	33.04	16	GU92602512	33.13	32
GU35782880	33.20	5	GU90706584	33.09	21	GU92602512	34.30	15
GU37045006	34.21	26	GU90718370	33.28	7	GU92602516	33.16	9
GU39103400	33.20	30	GU91111511	34.31	32	GU92602518	34.21	35
GU39103500	33.20	26	GU91112128	34.21	14	GU92603010	34.31	20
GU39616800	33.04	33	GU91180605	33.20	25	GU92630105	33.05	14
GU39616800	34.26	37	GU91180607	33.07	7	GU92630105	33.08	11
GU39616800	34.30	35	GU91180607	33.08	14	GU92630105	33.11	5
GU39663801	33.14	20	GU91180607	33.10	11	GU92630106	33.01	16
GU39922200	33.03	31	GU91180718	33.01	14	GU92630106	33.02	25
GU43083810	34.22	3	GU91180718	33.10	4	GU92630106	33.02	9
GU43934000	34.25	54	GU91180804	33.03	17	GU92630106	33.08	16
GU49609601	33.05	33	GU91180907	33.01	58	GU92630106	33.15	48
GU49609601	33.07	18	GU91180915	34.21	38	GU92630106	33.19	22
GU49609601	33.11	19	GU91181004	33.07	13	GU92630106	33.20	11
GU49938900	34.25	10	GU91181016	33.18	4	GU92630106	33.20	16
GU53937200	34.25	12	GU91551082	33.20	19	GU92630106	33.20	22
GU55234700	34.30	30	GU91551085	33.05	27	GU92630106	33.20	29
GU55235000	34.22	22	GU91551085	33.07	8	GU92630106	33.20	39
GU55235001	34.22	22	GU91551085	33.08	13	GU92630106	34.22	34
GU55235002	34.22	22	GU91551085	33.10	37	GU92630108	33.13	42
GU55235003	34.22	22	GU91551120	33.14	7	GU92630108	34.30	33
GU60013800	34.22	48	GU91551120	33.15	46	GU92630110	33.13	18
GU61013800	33.06	8	GU91551120	33.15	50	GU92630206	33.07	5
GU61270300	33.02	4	GU91551131	33.15	34	GU92630206	33.10	38
GU61270300	33.04	21	GU91702355	34.21	3	GU92630206	33.13	26
GU61270300	33.28	18	GU92201070	33.04	26	GU92700073	33.10	26
GU61270300	34.21	40	GU92201417	34.30	13	GU92700073	33.15	12
GU61270300	34.26	12	GU92204220	33.17	16	GU92701120	33.10	18
GU61712500	33.11	21	GU92204221	33.16	2	GU92701120	33.15	9
GU61712600	33.11	22	GU92204230	33.09	14	GU92701120	34.22	43

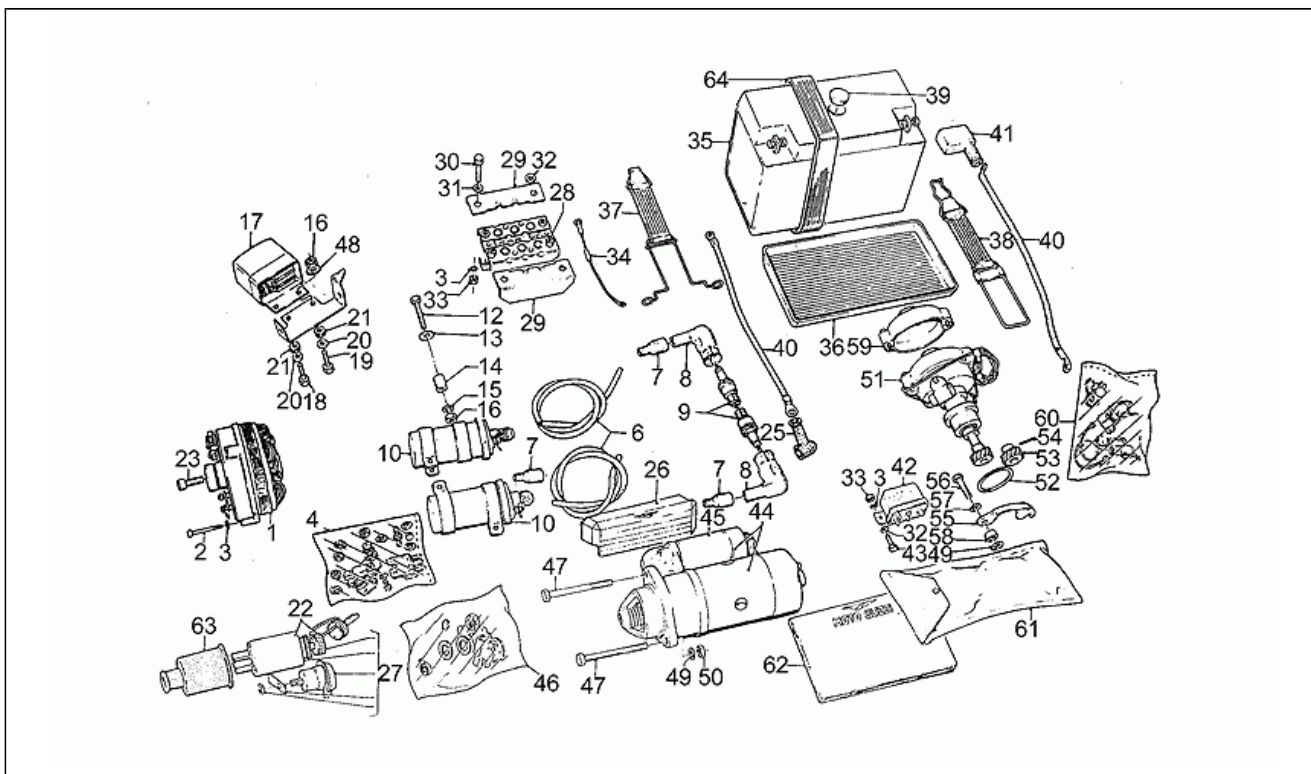


Code	Drawing Nr.	Pos.	Code	Drawing Nr.	Pos.	Code	Drawing Nr.	Pos.
GU92731090	34.21	15	GU95004217	33.16	8	GU95187008	33.04	22
GU92781040	33.02	31	GU95007204	33.02	30	GU95500222	33.10	24
GU92781062	33.06	18	GU95007210	33.06	13	GU95500222	33.15	16
GU92781081	33.03	19	GU95007210	33.07	12	GU95500222	34.22	33
GU92781081	33.04	5	GU95007210	33.18	3	GU95500222	34.27	17
GU92781081	33.18	47	GU95021105	33.01	3	GU95510318	33.01	54
GU92781081	33.28	6	GU95021105	33.06	5	GU95512081	34.26	8
GU92781100	33.18	34	GU95021105	33.23	10	GU95512081	34.30	9
GU93110060	33.01	21	GU95021106	33.05	25	GU95740175	33.10	27
GU93110060	33.02	24	GU95021106	33.17	7	GU95740175	33.15	11
GU93110060	33.02	6	GU95021106	33.19	24	GU95770265	33.10	22
GU93110060	33.03	22	GU95021106	34.22	31	GU95770265	33.15	14
GU93110060	33.20	14	GU95021108	33.03	18	GU95770265	34.22	36
GU93180080	33.20	3	GU95021108	33.13	1	GU95780271	34.27	16
GU93180105	33.09	20	GU95021108	33.15	24	GU95980214	33.04	8
GU93180206	33.19	16	GU95021108	33.18	43	GU95980214	34.30	36
GU93180220	33.01	39	GU95021108	33.28	14	GU95980610	34.30	25
GU93180220	34.30	22	GU95021110	33.07	14	GU95990028	33.10	32
GU93301313	33.02	21	GU95021112	33.13	34	GU95990028	33.14	4
GU93301313	33.20	31	GU95021112	33.20	23	GU95990028	33.15	33
GU93305057	33.08	2	GU95028022	34.24	2	GU95990037	34.29	26
GU93305057	33.23	5	GU95028025	34.21	5	GU96508032	34.30	32
GU93450119	33.06	2	GU95100059	33.01	31	GU96508042	34.31	41
GU93450120	33.05	32	GU95100060	33.05	13	GU96508045	33.04	3
GU93450129	33.06	10	GU95100116	33.18	12	GU96508045	33.18	42
GU93450129	33.07	9	GU95100116	33.23	17	GU96508066	34.26	3
GU93450140	33.05	19	GU95100118	33.07	6	GU96508075	34.26	4
GU93450224	33.07	2	GU95100121	33.19	18	GU98052270	33.08	9
GU93450232	33.06	3	GU95100121	33.20	9	GU98052325	33.19	19
GU93601022	34.24	1	GU95100125	33.01	13	GU98052325	34.22	30
GU93601026	34.21	6	GU95100125	33.06	19	GU98052345	33.01	12
GU94321051	34.24	19	GU95100141	33.01	20	GU98052390	34.26	26
GU94321067	34.30	29	GU95100141	33.02	7	GU98052430	33.01	56
GU94321072	34.29	17	GU95100141	33.08	15	GU98052435	34.21	39
GU94321105	34.27	13	GU95100141	33.20	13	GU98052480	33.01	47
GU94322215	34.31	35	GU95100173	33.10	29	GU98052480	33.18	45
GU95000204	33.02	15	GU95100173	33.15	17	GU98052535	33.09	2
GU95000205	33.01	32	GU95100239	33.19	11	GU98052545	33.13	14
GU95000205	33.08	10	GU95100332	33.14	12	GU98052555	33.13	43
GU95000205	33.11	4	GU95100332	33.15	53	GU98054210	33.01	43
GU95000206	33.01	15	GU95100333	33.14	12	GU98054210	33.03	8
GU95000206	33.01	48	GU95100333	33.15	53	GU98054314	33.01	19
GU95000206	33.05	24	GU95100409	33.10	16	GU98054314	33.05	23
GU95000206	33.06	17	GU95100409	33.15	8	GU98054314	33.19	25
GU95000206	33.15	30	GU95100409	34.22	44	GU98054316	33.06	16
GU95000206	33.15	47	GU95100523	34.29	20	GU98054316	33.15	29
GU95000206	33.19	21	GU95100709	33.04	7	GU98054316	33.20	37
GU95000206	33.20	10	GU95100709	34.26	25	GU98054316	34.29	11
GU95000206	33.20	15	GU95100709	34.30	24	GU98054316	34.30	21
GU95000206	33.20	21	GU95120065	34.21	31	GU98054316	34.31	38
GU95000206	33.20	38	GU95120065	34.29	39	GU98054318	33.20	27
GU95000206	34.30	20	GU95120065	34.31	39	GU98054318	34.29	40
GU95000208	33.02	3	GU95120085	34.29	8	GU98054320	33.01	18
GU95000208	33.18	46	GU95129080	33.02	16	GU98054320	33.02	8
GU95000208	33.19	13	GU95129080	33.02	19	GU98054320	33.08	12
GU95000213	33.13	39	GU95129100	33.03	9	GU98054320	33.10	20
GU95001205	34.31	43	GU95129110	33.10	23	GU98054320	33.15	4
GU95004206	33.20	28	GU95129110	33.15	15	GU98054320	33.17	8
GU95004206	33.23	14	GU95129110	34.22	35	GU98054320	33.19	15
GU95004206	34.26	27	GU95129115	33.13	41	GU98054320	33.19	20
GU95004208	33.01	49	GU95129130	33.10	28	GU98054320	33.20	12
GU95004208	33.03	16	GU95129130	33.15	18	GU98054320	34.21	30
GU95004208	33.03	26	GU95129180	33.14	10	GU98054325	33.20	8
GU95004208	33.13	4	GU95129180	33.15	39	GU98054416	33.10	6
GU95004208	34.26	5	GU95129180	34.31	16	GU98054416	33.13	8
GU95004210	33.09	3	GU95184014	33.10	34	GU98054420	33.02	2
GU95004210	33.13	15	GU95187006	34.29	12	GU98054420	34.21	12



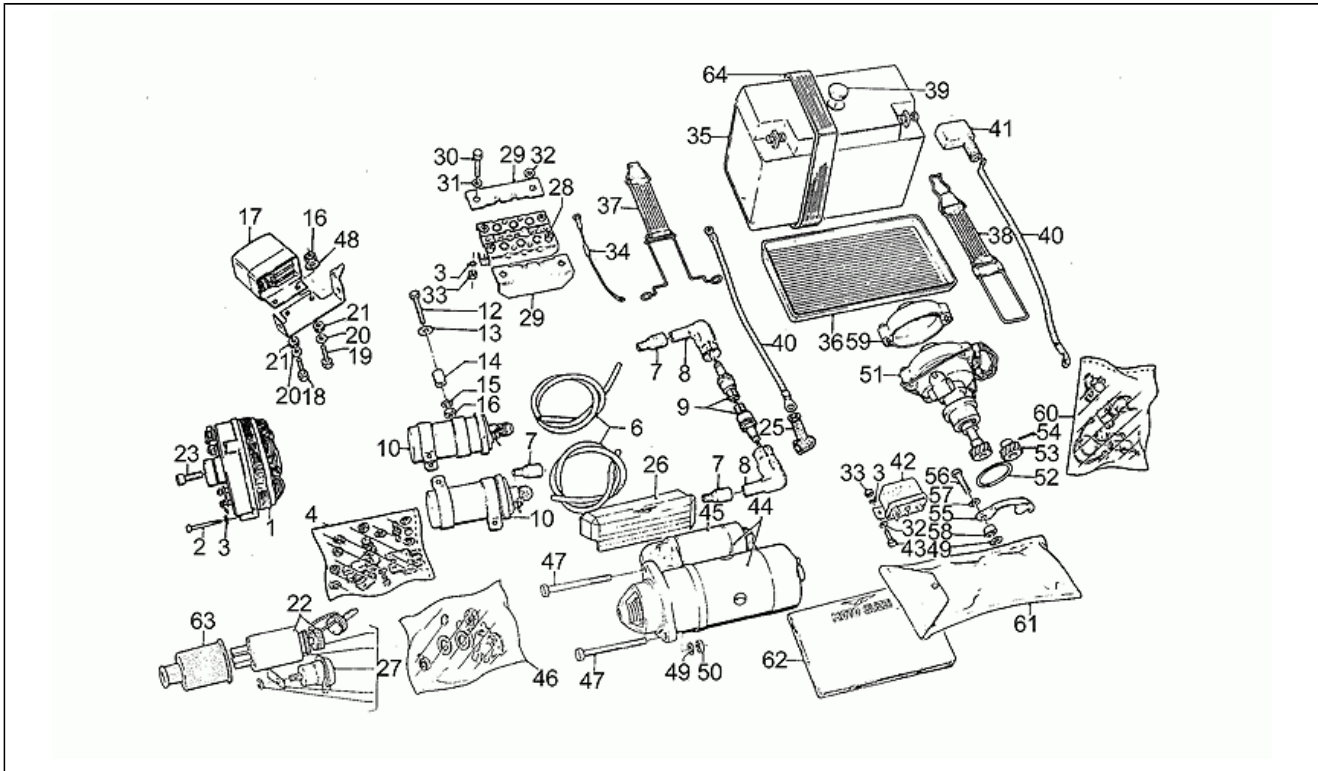
Code	Drawing Nr.	Pos.
GU98054425	33.04	20
GU98054425	34.26	11
GU98054525	33.14	9
GU98054525	33.15	38
GU98074216	33.23	9
GU98074416	33.19	12
GU98200408	33.02	14
GU98202516	33.01	30
GU98202530	33.11	2
GU98230616	33.10	10
GU98230816	33.02	12
GU98230825	33.16	5
GU98230825	33.17	19
GU98250405	33.12	11
GU98310630	34.26	14
GU98326009	33.23	16
GU98326014	33.03	21
GU98326016	33.02	23
GU98326016	33.19	10
GU98610540	33.18	6
GU98610555	33.18	2
GU98612325	34.31	4
GU98612535	33.18	7
GU98620245	33.01	2
GU98620330	33.23	18
GU98620335	34.26	19
GU98620335	34.30	17
GU98620355	34.26	35
GU98620440	33.15	23
GU98622214	33.14	2
GU98622316	34.30	5
GU98622318	33.18	11
GU98622325	34.26	18
GU98622325	34.30	16
GU98622345	33.10	2
GU98622420	33.03	25
GU98622425	33.28	13
GU98622430	34.29	9
GU98622530	33.18	31
GU98623630	33.20	17
GU98623640	33.13	40
GU98692312	33.12	4
GU98820540	33.18	33
GU98822425	33.03	15
GU98822425	33.19	14
GU98823635	33.13	30
GU99105129	33.13	5

Assembly	FRAME
Code	33.01
Description	Battery
Revision	1



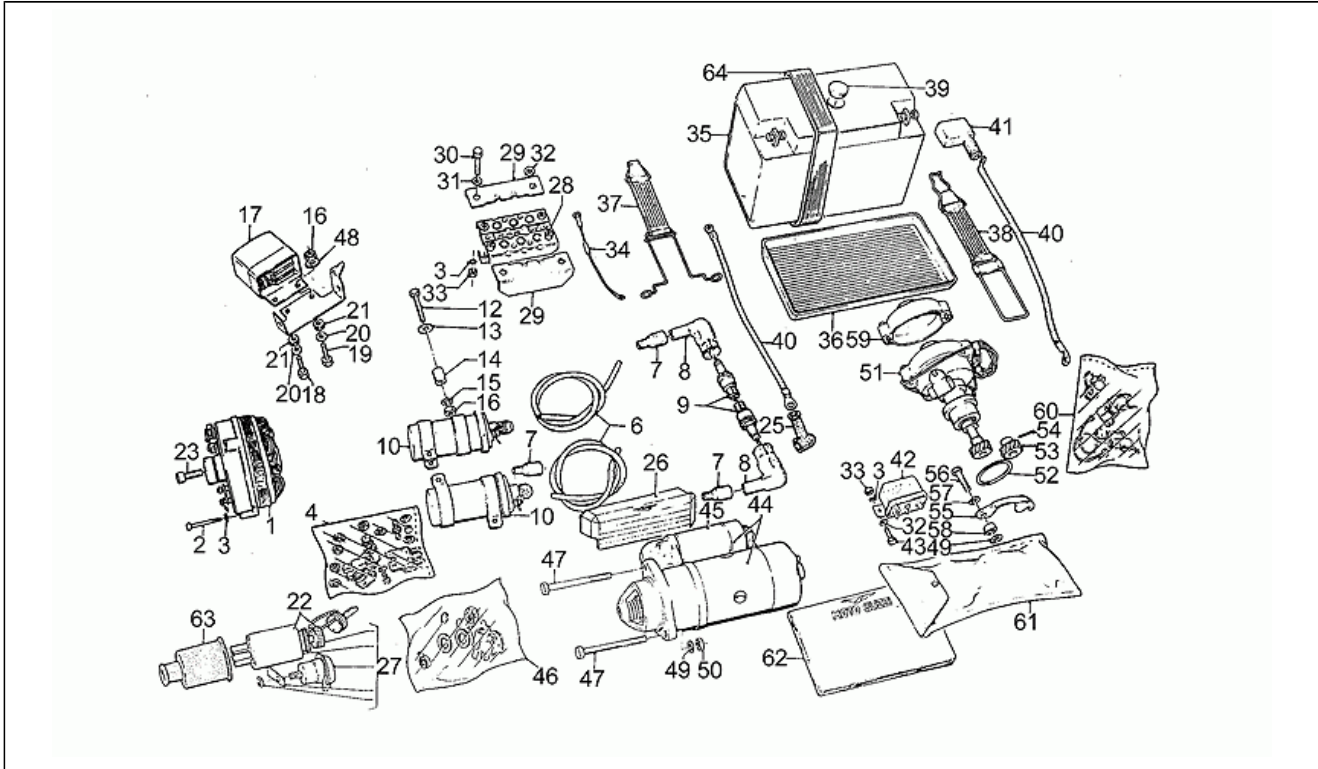
Pos.	Code	Description	Q.ty	Variants
1	GU17712400	Bosch alternator	1	
2	GU98620245	Hex socket screw M5X45	3	
3	GU95021105	Notched washer	9	
4	GU17719900	Repairing kit	1	Technical Specifications: Bosch[B]
6	GU17718350	HT cable	2	
7	GU14717600	Cap	4	
8	GU14717400	Sparkplug cap	2	
9	GU30717010	Spark plug NGK BP6ES	2	
10	GU14716503	Coil	2	Technical Specifications: See spare parts comm.n.028 of 1999[02899N]
12	GU98052345	Screw	2	
13	GU95100125	Washer	2	
14	GU91180718	Spacer	2	
15	GU95000206	Washer	2	
16	GU92630106	Nut M6x1	4	
17	GU29703800	Voltage regulator BOSCH	1	Technical Specifications: Bosch[B]
18	GU98054320	Hex screw M6X20	1	
19	GU98054314	Screw	1	
20	GU95100141	Washer 6,4x12x1,2	2	
21	GU93110060	Rubber spacer	4	
22	GU31735360	Main switch	1	
23	GU14712459	Screw	1	
25	GU19707100	Cap	1	
26	GU19733350	Protection	1	
27	GU14736856	Locks	1	
28	GU17704300	Bosch rectifier	1	
29	GU14704205	Cover	2	
30	GU98202516	Screw	4	

Assembly	FRAME
Code	33.01
Description	Battery
Revision	1



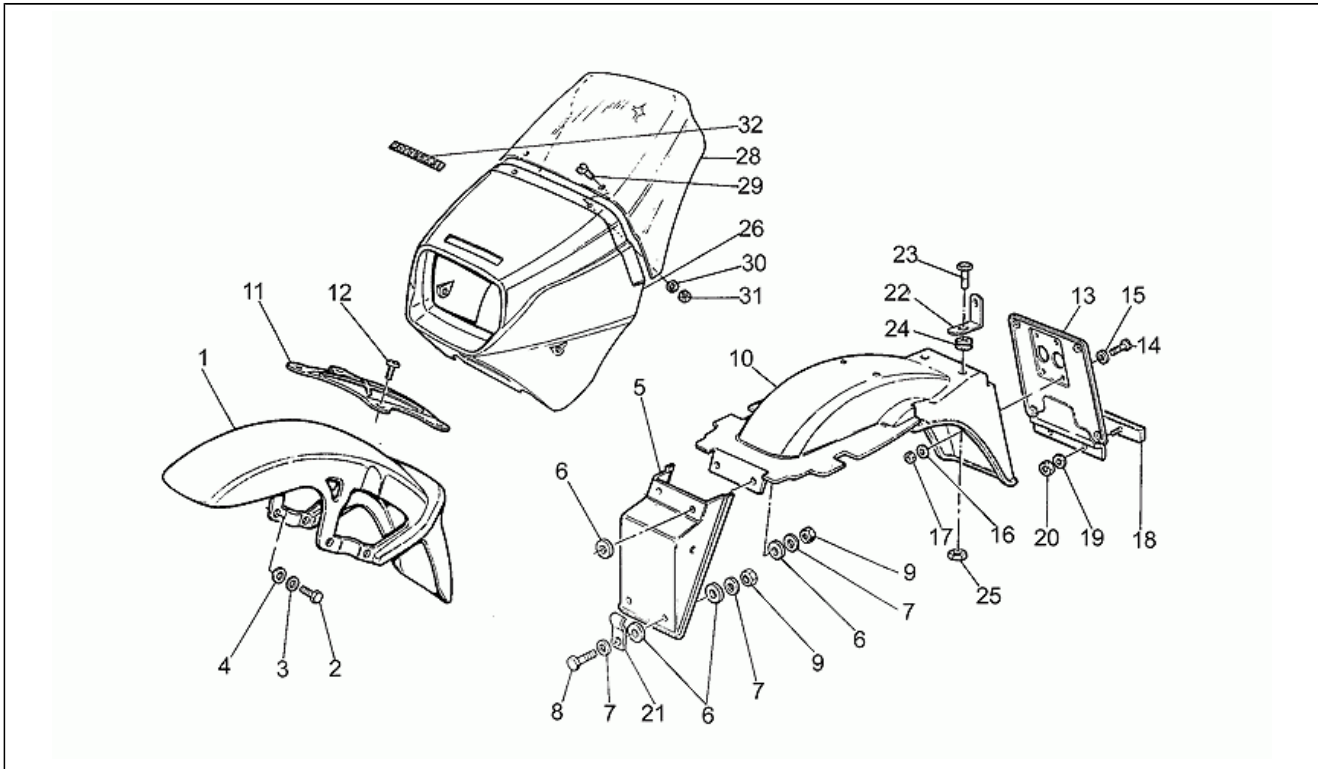
Pos.	Code	Description	Q.ty	Variants
31	GU95100059	Washer 5,25x14x1,5	2	
32	GU95000205	Washer	4	
33	GU92602205	Nut	5	
34	GU17748500	Wire	1	
35	0000000	Tyre 110/90"	1	Technical Specifications: Fiamm 61F130P 12V-24Ah[F]
36	GU28707050	Battery holder	1	
37	GU28704850	Fixing snap	1	
38	GU14705500	Fixing snap	1	
39	GU93180220	Plug	1	
40	GU14748450	Wire	1	
41	GU25706700	Cap	1	
42	GU19732500	Starter relay	3	
43	GU98054210	Screw	2	
44	GU30730711	Starter motor Valeo	1	
45	GU14730558	Switch assy	1	
46	GU14730570	Starter motor revision kit	1	
47	GU98052480	Screw	2	
48	GU95000206	Washer	2	
49	GU95004208	Washer	3	
50	GU92602208	Nut M8X1,25	1	
51	GU17715450	Contact breaker	1	
52	GU14716400	Gasket	1	
53	GU14716200	Gear	1	
54	GU95510318	Pin	1	
55	GU14715700	Plate	1	
56	GU98052430	Hex screw M8x30	2	
57	GU14615901	Washer 8,4X13X0,8	2	
58	GU91180907	Spacer	2	

Assembly	FRAME
Code	33.01
Description	Battery
Revision	1



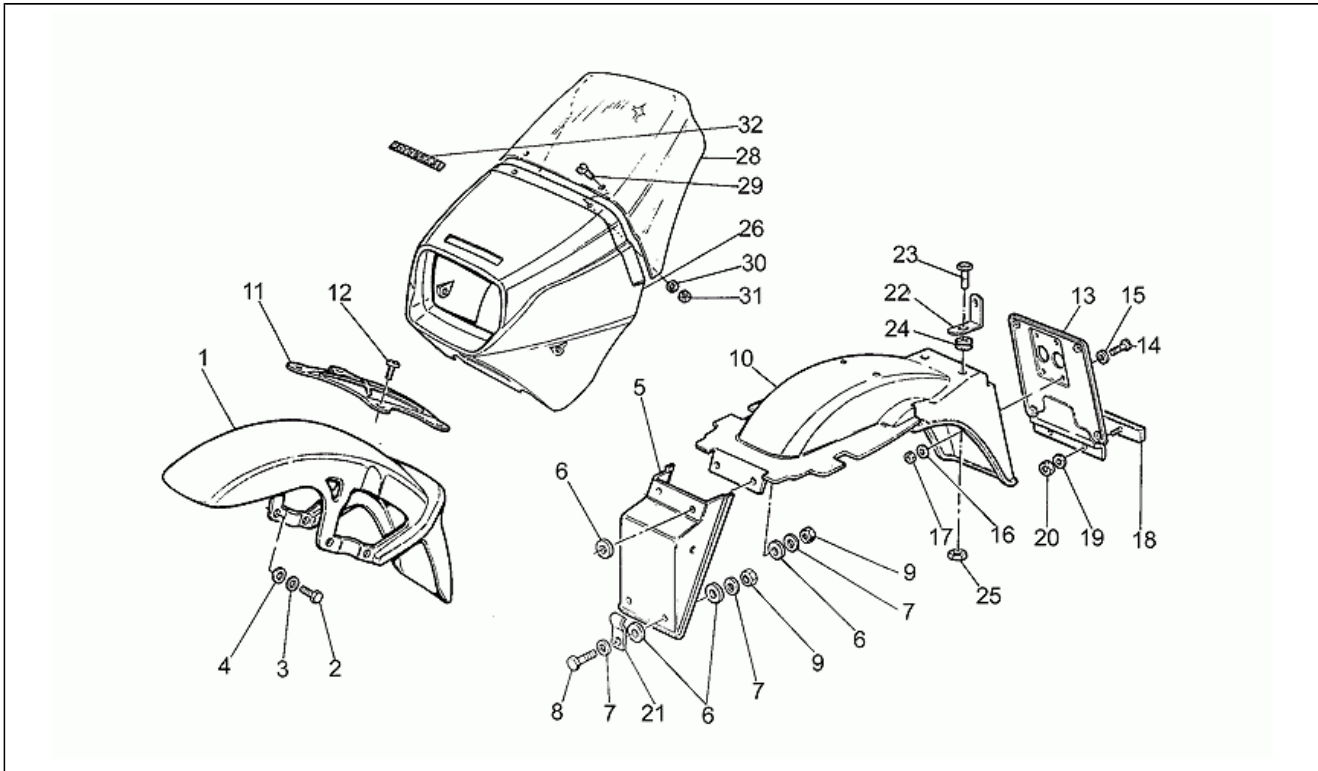
Pos.	Code	Description	Q.ty	Variants
59	GU14715420	Cover	1	
60	GU14719800	Contact breaker rev.kit	1	
61	GU28929940	Toolkit	1	
62	GU28900040	Operator's handbook	1	Country:Italy[I]
62	GU28900041	Operator's handbook	1	Country:Great Britain[UK]
63	GU19741336	Ring nut	1	
64	GU28704900	Battery fixing snap	1	

Assembly	FRAME
Code	33.02
Description	Fairing
Revision	1



Pos.	Code	Description	Q.ty	Variants
1	GU284344001	Front mudguard	1	Color:Blank[gr]
2	GU98054420	Hex screw M8X20	4	
3	GU95000208	Washer	4	
4	GU61270300	Spring washer 8x15x0,3	4	
5	GU14438750	Splash guard	1	
6	GU93110060	Rubber spacer	8	
7	GU95100141	Washer 6,4x12x1,2	4	
8	GU98054320	Hex screw M6X20	2	
9	GU92630106	Nut M6x1	4	
10	GU28437010	Rear mudguard	1	
11	GU274366201	Plate	1	
12	GU98230816	Screw	4	
13	GU284746001	Plate holder support	1	
14	GU98200408	Screw	4	
15	GU95000204	Washer	4	
16	GU95129080	Washer	4	
17	GU92602204	Nut	4	
18	GU28745800	Rear reflector	1	
19	GU95129080	Washer	2	
20	GU92602204	Nut	2	
21	GU93301313	U-bolt	2	
22	GU28438000	Plate	2	
23	GU98326016	Screw	2	
24	GU93110060	Rubber spacer	2	
25	GU92630106	Nut M6x1	2	
26	GU285754101	Windshield	1	Color:Blank[gr]
28	GU28577210	Windscreen	1	
29	GU28576010	Screw	2	

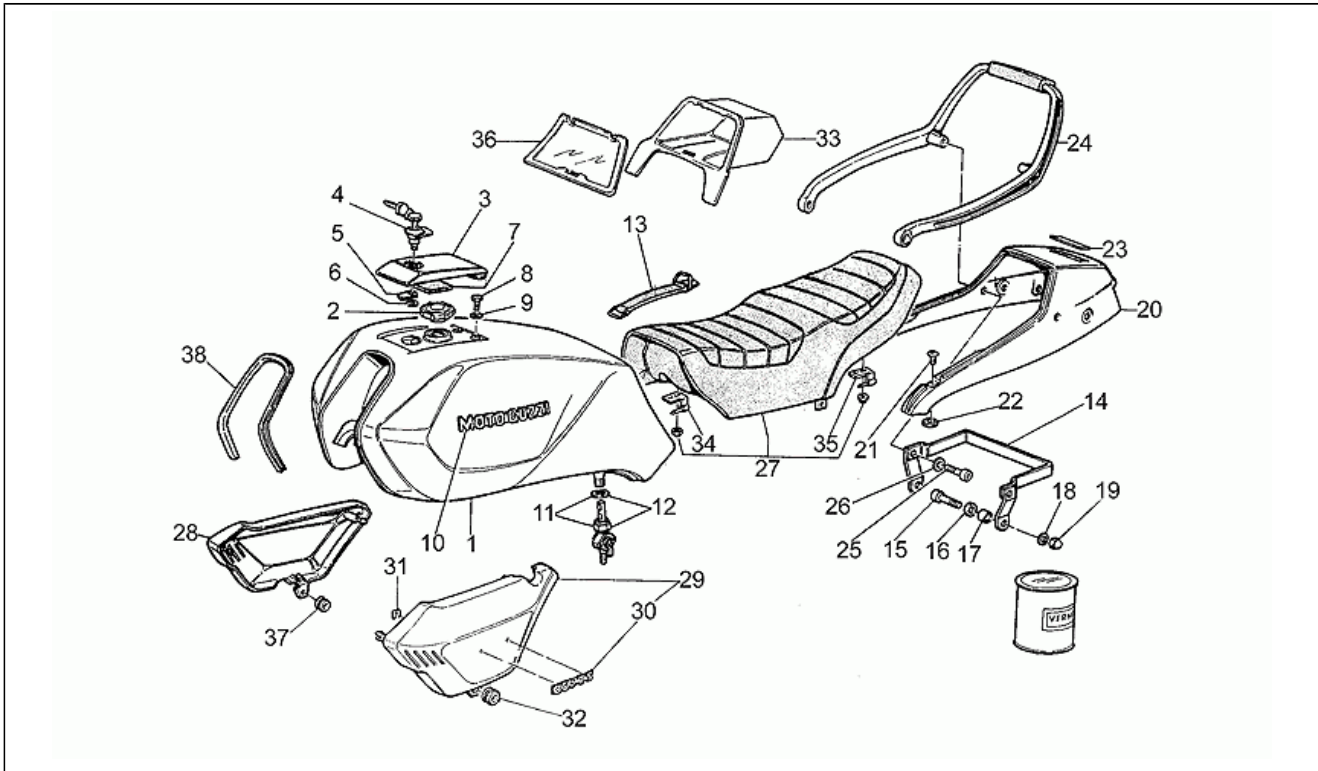
Assembly	FRAME
Code	33.02
Description	Fairing
Revision	1



Pos.	Code	Description	Q.ty	Variants
30	GU95007204	Washer	2	
31	GU92781040	Nut	2	
32	GU28923400	"MotoGuzzi" dec.	1	

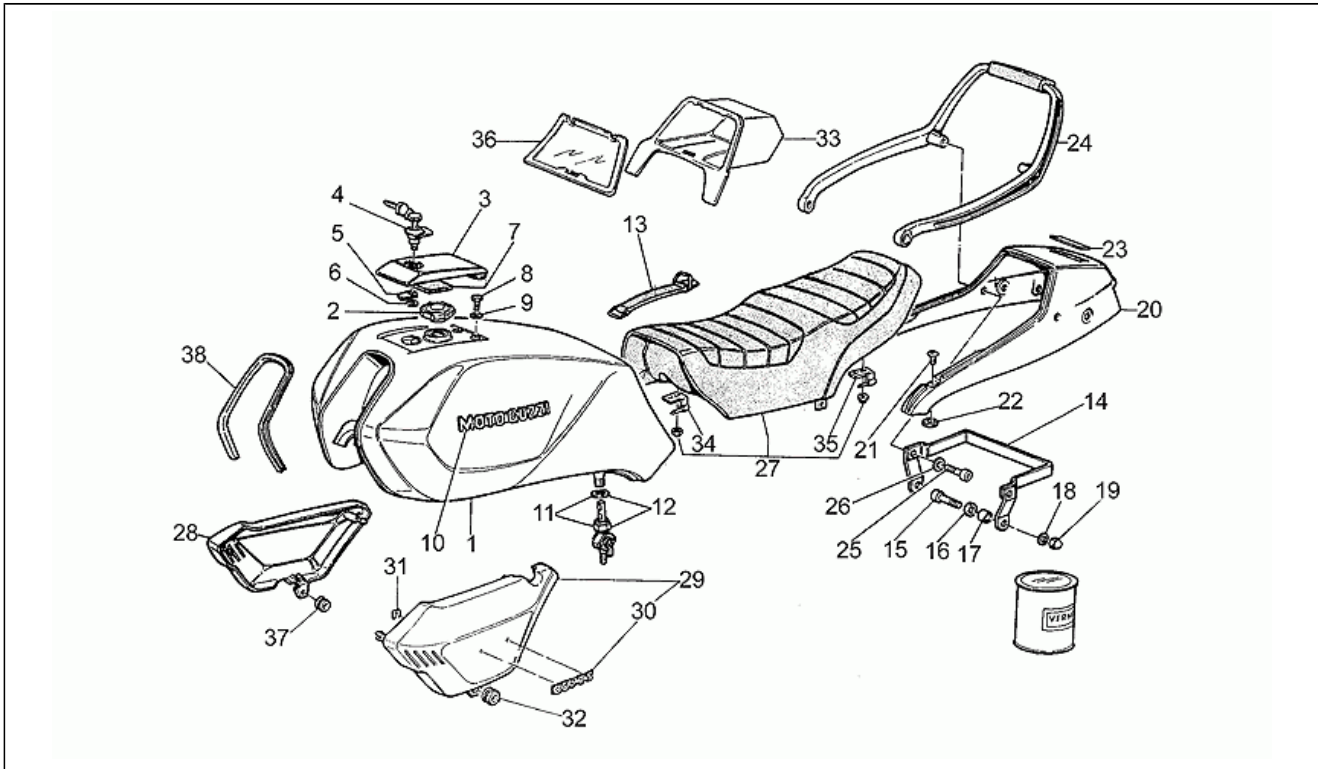


Assembly	FRAME
Code	33.03
Description	Body
Revision	1



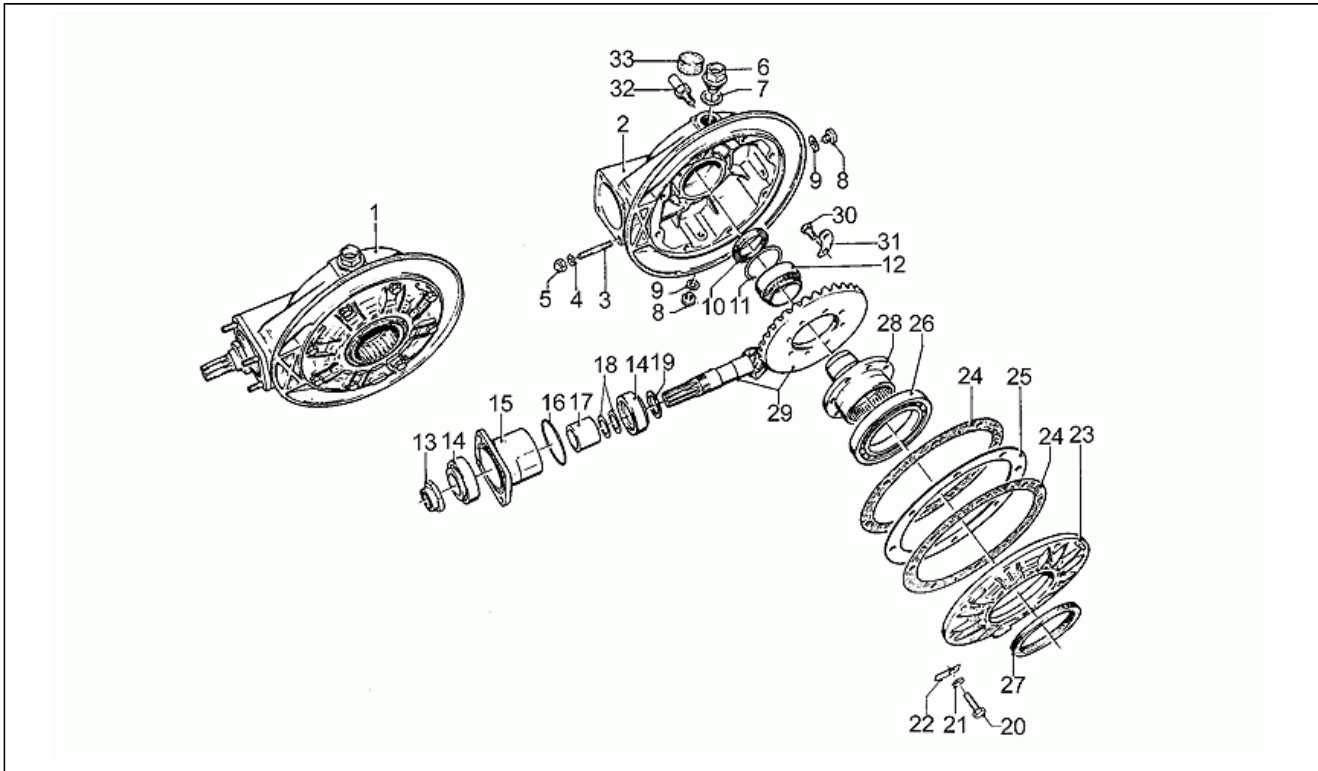
Pos.	Code	Description	Q.ty	Variants
1	GU281002001	Fuel tank	1	Color:Blank[gr]
2	GU14103955	Plug	1	
3	GU141040551	Tank cover, blank	1	Color:Blank[gr]
4	GU14736856	Locks	1	
5	GU18105001	Tab	1	
6	GU19104950	Hose clamp	1	
7	GU19104336	Rubber spacer	1	
8	GU98054210	Screw	2	
9	GU95129100	Spring washer 5,3X10X0,5	2	
10	GU28917300	"Moto Guzzi" dataplate	2	
11	GU23105460	RH fuel cock	1	
12	GU23105461	LH fuel cock	1	
13	GU14102600	Fixing snap	1	
14	GU28468400	Support	1	
15	GU98822425	Screw	2	
16	GU95004208	Washer	2	
17	GU91180804	Spacer 8,5x12x4	2	
18	GU95021108	Spring washer	2	
19	GU92781081	Nut	2	
20	GU284726001	Rear fairing	1	Color:Blank[gr]
21	GU98326014	Screw	2	
22	GU93110060	Rubber spacer	2	
23	GU28933400	Decal "Moto Guzzi"	1	
24	GU28464301	Pillion grab bar	1	
25	GU98622420	Screw	2	
26	GU95004208	Washer	2	
27	GU28460500	Seat assy	1	
28	GU284762001	RH side cover	1	Color:Blank[gr]

Assembly	FRAME
Code	33.03
Description	Body
Revision	1



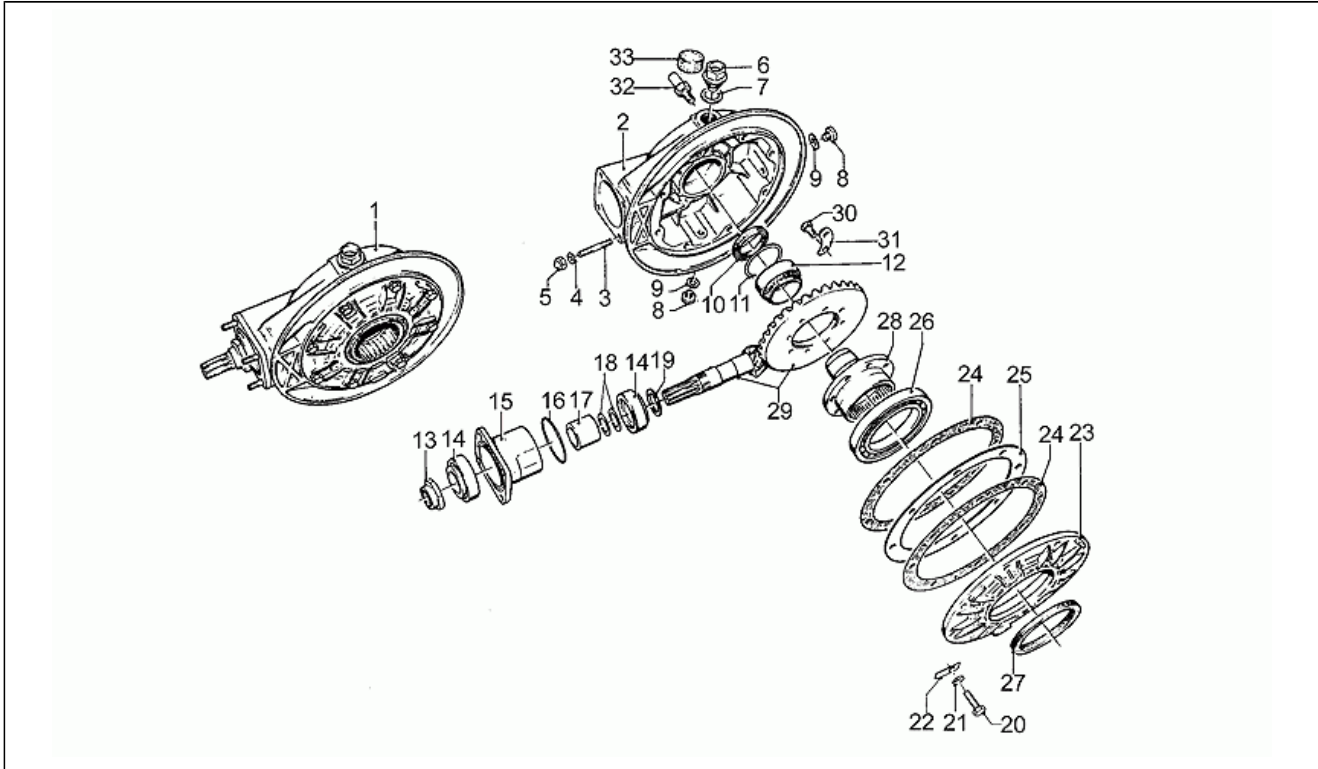
Pos.	Code	Description	Q.ty	Variants
29	GU284763001	LH side cover blank	1	Color:Blank[gr]
30	GU28922000	Name plate 850 T5	2	
31	GU39922200	Plate	4	
32	GU19478550	Rubber spacer	1	
33	GU28479600	Tool kit box	1	
34	GU28461300	Front saddle hinge	1	
35	GU28461301	Rear bracket	1	
36	GU28479700	Tool kit box cover	1	
37	GU28476750	RH rubber	1	
38	GU00823931070	Gasket	1	

Assembly	FRAME
Code	33.04
Description	Bevel gear
Revision	1



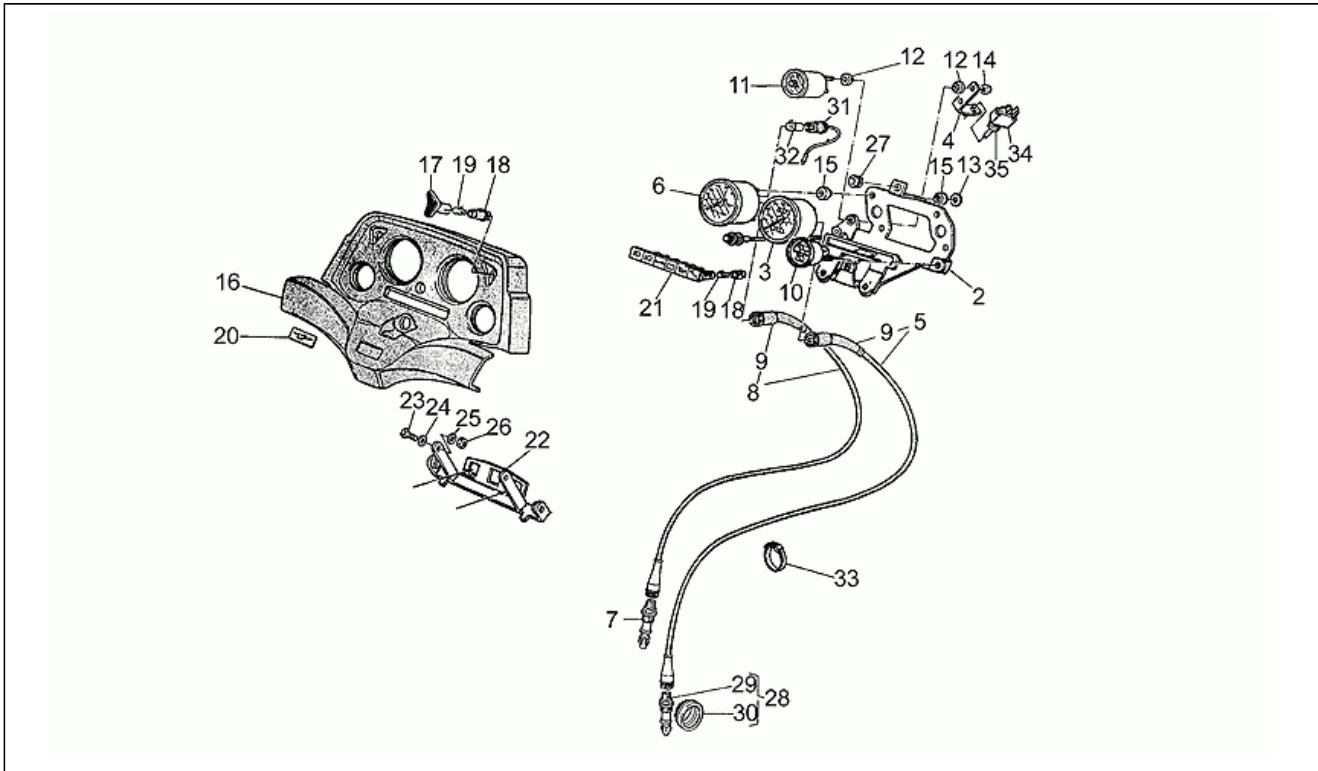
Pos.	Code	Description	Q.ty	Variants
1	GU17350250	Transmission complete	1	
2	GU28350345	Transmission box, blank	1	
3	GU96508045	Stud bolt 8x46	4	
4	GU14615901	Washer 8,4X13X0,8	4	
5	GU92781081	Nut	4	
6	GU28351260	Oil plug	1	
7	GU95100709	Gasket 20,1x28x2	1	
8	GU95980214	Oil level plug	2	
9	GU10528900	Gasket	2	
10	GU90403850	Gasket ring	1	
11	GU12351100	Gasket ring	1	
12	GU92254340	Roller bearing 40x55x17	1	
13	GU30356760	Nut	1	
14	GU92249227	Tap.roller bearing 25x5	2	
15	GU18352400	Flange	1	
16	GU90706584	Gasket 58,42x2,62	2	
17	GU18355100	Spacer	1	
18	GU12355202	Shim 0,1 mm	1	
18	GU12355203	Shim 0,15 mm	1	
19	GU19355320	Spacer 1 mm	1	
19	GU19355321	Spacer 1,1 mm	1	
19	GU19355322	Spacer 1,2 mm	1	
19	GU19355323	Spacer 1,3 mm	1	
19	GU19355324	Spacer 1,4 mm	1	
19	GU19355325	Spacer 1,5 mm	1	
19	GU19355326	Spacer 1,6 mm	1	
19	GU19355327	Spacer 1,7 mm	1	
19	GU19355328	Spacer 1,8 mm	1	

Assembly	FRAME
Code	33.04
Description	Bevel gear
Revision	1



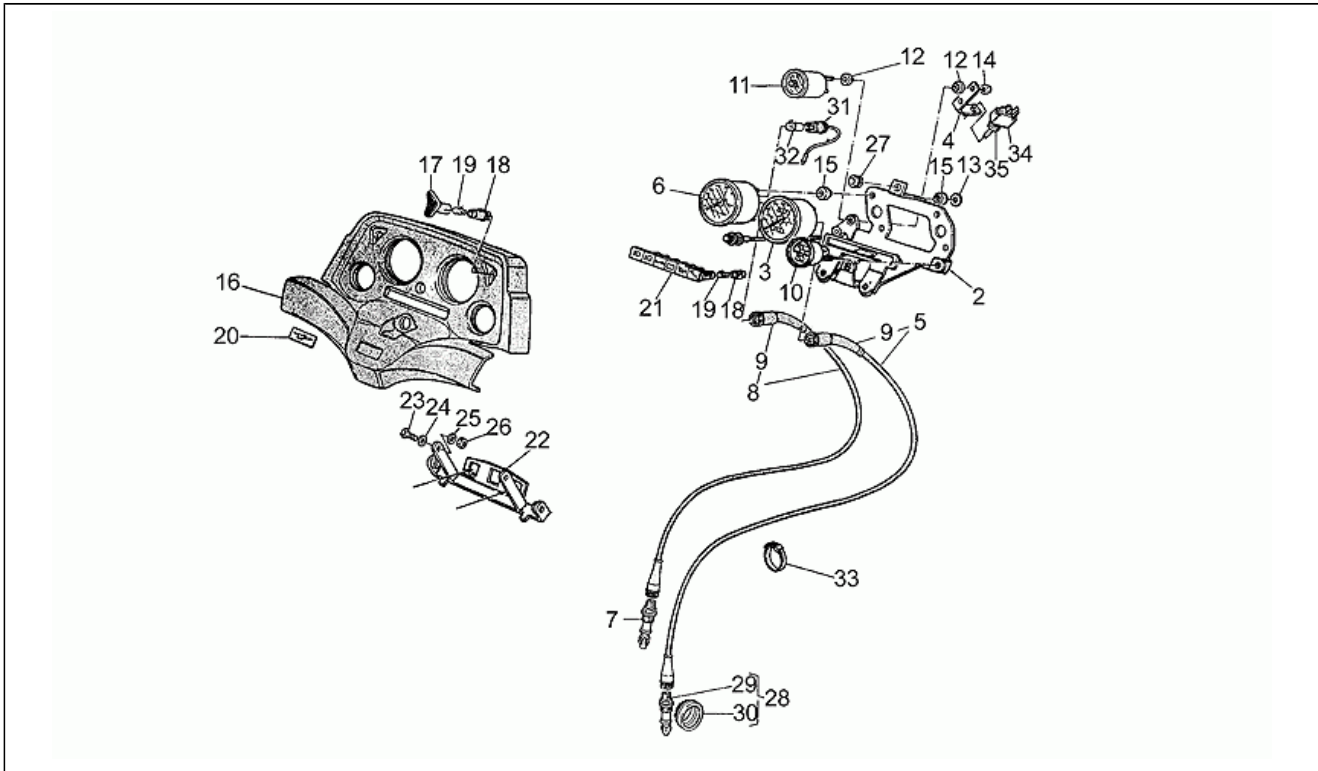
Pos.	Code	Description	Q.ty	Variants
19	GU19355329	Spacer 1,9 mm	1	
20	GU98054425	Screw M8X25	8	
21	GU61270300	Spring washer 8x15x0,3	8	
22	GU95187008	Plate	8	
23	GU17350400	Flange	1	
24	GU17350700	Gasket	2	
25	GU17355400	Spacer 0,8 mm	1	
25	GU17355402	Spacer 0,9 mm	1	
25	GU17355404	Spacer 1 mm	1	
25	GU17355406	Spacer 1,1 mm	1	
25	GU17355408	Spacer 1,2 mm	1	
25	GU17355410	Spacer 1,3 mm	1	
25	GU17355412	Spacer 1,5 mm	1	
26	GU92201070	Ball bearing 70x110x13	1	
27	GU90407085	Gasket ring	1	
28	GU17351400	Drive flange	1	
29	GU17354650	Bevel gear Z=7/33	1	
30	GU12356300	Screw	8	
31	GU12356400	Safety plate	4	
32	GU28555200	Pin	1	
33	GU39616800	Plug	1	

Assembly	FRAME
Code	33.05
Description	Dashboard
Revision	1



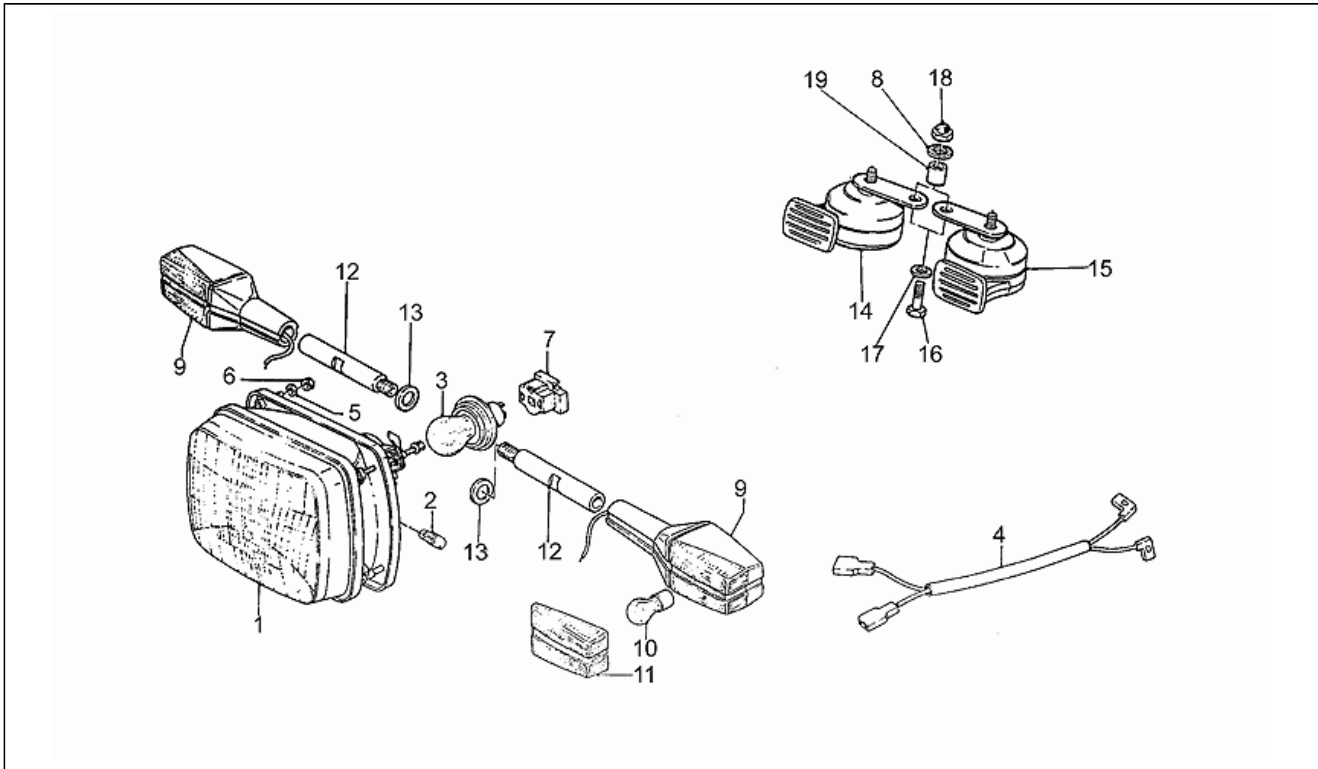
Pos.	Code	Description	Q.ty	Variants
2	GU28764000	Plate	1	
3	GU17761560	Speedometer	1	
4	GU17746360	Plate	1	
5	GU28760410	Speedometer transmission	1	
6	GU17767260	Tachometer	1	
7	GU14769200	Gear Z=14	1	
8	GU28768150	Rev counter transmission	1	
9	GU17762200	Sheath	2	
10	GU17784960	Voltmeter	1	
11	GU29783061001	Clock assy.	1	
12	GU17783960	Rubber spacer	4	
13	GU95100060	Washer	5	
14	GU92630105	Nut	2	
15	GU17765560	Rubber spacer	10	
16	GU28766200	Dashboard panel	1	
17	GU65758970	Blinker indicator light holder	2	
18	GU19768680	Lampholder	6	
19	GU93450140	Lamp 12V-1,2W	6	
20	GU28769550	Decal "Aquila"	1	
21	GU28766950	Lamp support+cable	1	
22	GU28578600	Plate	1	
23	GU98054314	Screw	2	
24	GU95000206	Washer	2	
25	GU95021106	Notched washer	2	
26	GU92602208	Nut M8X1,25	2	
27	GU91551085	Rubber spacer	1	
28	GU14762510	Gear Z5/11	1	
29	GU12763300	Pinion Z5	1	

Assembly	FRAME
Code	33.05
Description	Dashboard
Revision	1



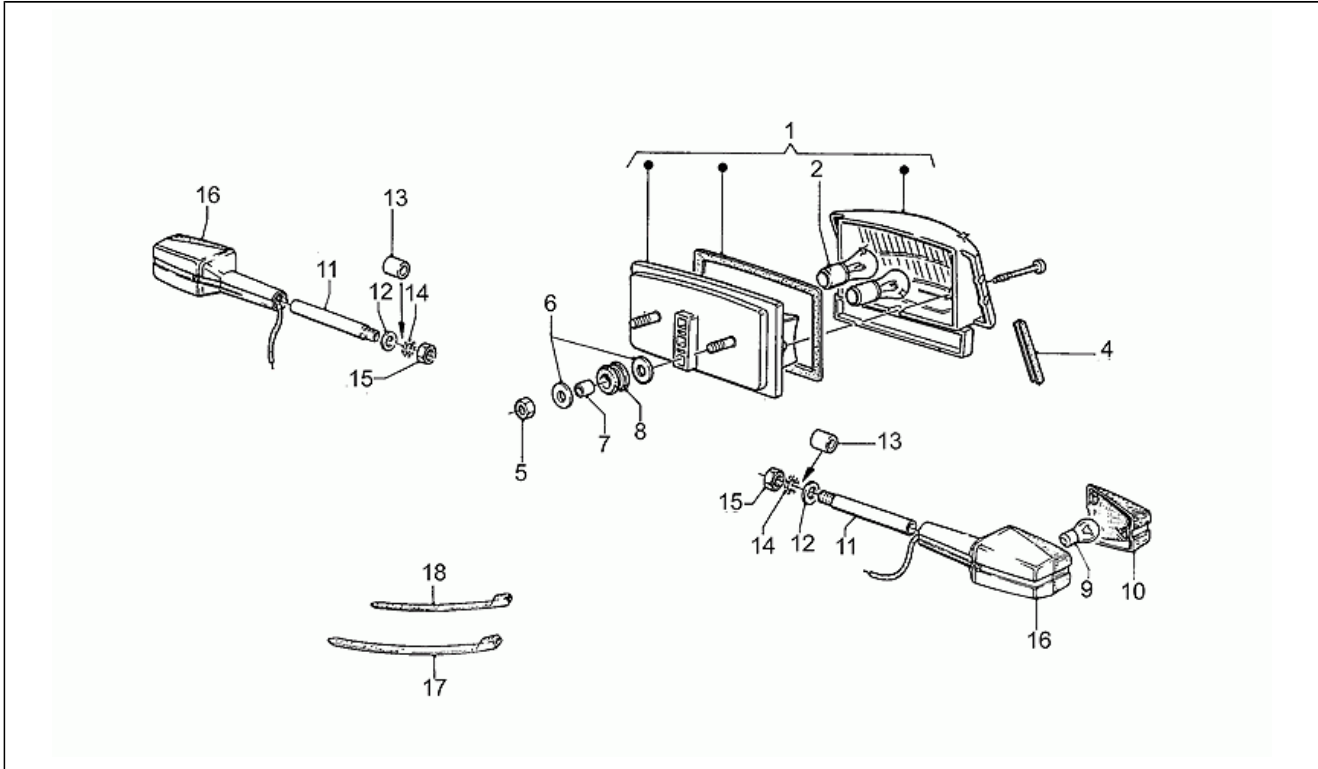
Pos.	Code	Description	Q.ty	Variants
30	GU14766110	Chain ring Z11	1	
31	GU14768650	Lampholder	2	
32	GU93450120	Lamp 12v-3w	2	
33	GU49609601	Hose clamp 2,4x92	4	
34	GU18745701	Switch	1	
35	GU28605100	Nut	1	

Assembly	FRAME
Code	33.06
Description	Headlight-Horn
Revision	1



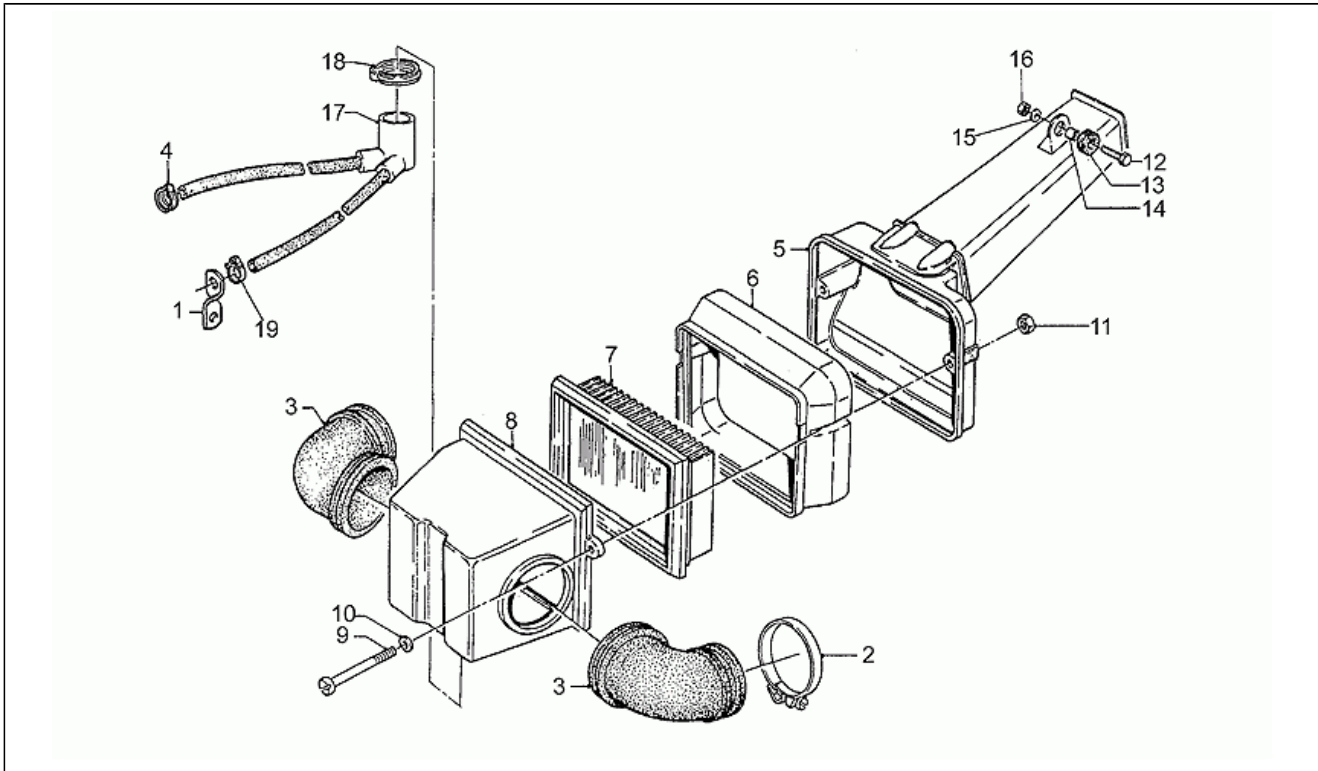
Pos.	Code	Description	Q.ty	Variants
1	GU28740560	Headlight	1	
2	GU93450119	Lamp 12V-4W	1	
3	GU93450232	Lamp 12V-55/60W	1	
4	GU18720150	Wiring	1	
5	GU95021105	Notched washer	3	
6	GU92602205	Nut	3	
7	GU14756255	Lampholder	1	
8	GU61013800	Special washer	2	
9	GU28751650	Rear turn indicator	2	
10	GU93450129	Lamp 12V-10W	2	
11	GU28753750	Turn indicator lens	2	
12	GU28751300	Turn indicator	2	
13	GU95007210	Washer	4	
14	GU28743761	Bass horn	1	
15	GU28743760	Treble horn	1	
16	GU98054316	Hex screw M6X16	2	
17	GU95000206	Washer	4	
18	GU92781062	Nut	2	
19	GU95100125	Washer	2	

Assembly	FRAME
Code	33.07
Description	Taillight
Revision	1



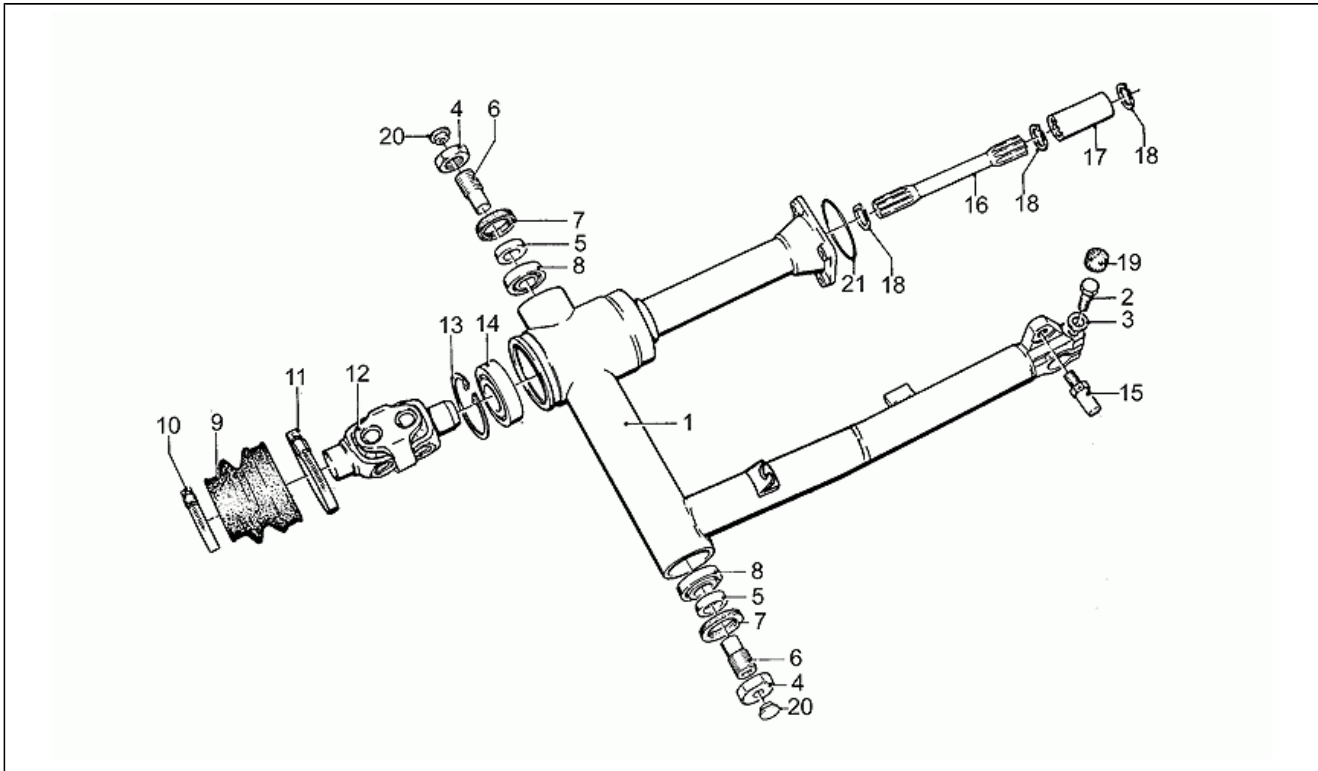
Pos.	Code	Description	Q.ty	Variants
1	GU27740985	Taillight	1	
2	GU93450224	Lamp 12V/5-21W	2	
4	GU28439800	Gasket	2	
5	GU92630206	Nut M6x1	2	
6	GU95100118	Washer 6,2X18X1	2	
7	GU91180607	Spacer	2	
8	GU91551085	Rubber spacer	2	
9	GU93450129	Lamp 12V-10W	2	
10	GU28753750	Turn indicator lens	2	
11	GU28751750	Rear turn indicator supp.	2	
12	GU95007210	Washer	2	
13	GU91181004	Spacer	2	
14	GU95021110	Notched washer	2	
15	GU92602410	Nut	2	
16	GU28751650	Rear turn indicator	2	
17	GU14609650	Hose clamp 3,6x20,6	20	
18	GU49609601	Hose clamp 2,4x92	4	

Assembly	FRAME
Code	33.08
Description	Air filter
Revision	1



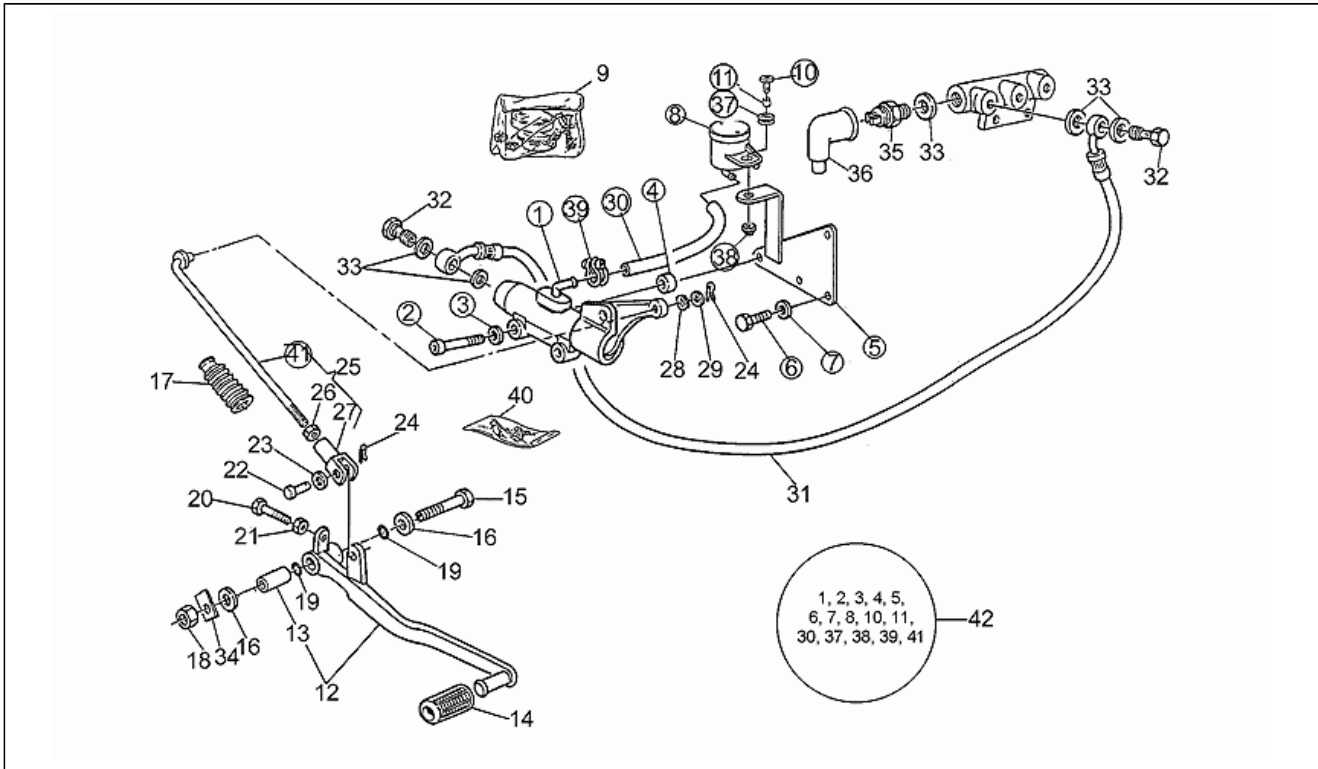
Pos.	Code	Description	Q.ty	Variants
1	GU14115401	Plate	1	
2	GU93305057	Hose clamp 57x59,5x10	2	
3	GU14114460	Carburettor flange	2	
4	GU28157850	Hose clamp	1	
5	GU28113450	Filter cover	1	
6	GU28114050	Air filter support	1	
7	GU28113650	Air filter	1	
8	GU28114350	Air box	1	
9	GU98052270	Screw	2	
10	GU95000205	Washer	2	
11	GU92630105	Nut	2	
12	GU98054320	Hex screw M6X20	1	
13	GU91551085	Rubber spacer	1	
14	GU91180607	Spacer	1	
15	GU95100141	Washer 6,4x12x1,2	1	
16	GU92630106	Nut M6x1	1	
17	GU28157050	Pipe	1	
18	GU28157950	Hose clip 12,5x8	1	
19	GU28157750	Hose clip d.26x0,8	1	

Assembly	FRAME
Code	33.09
Description	Swing arm
Revision	1



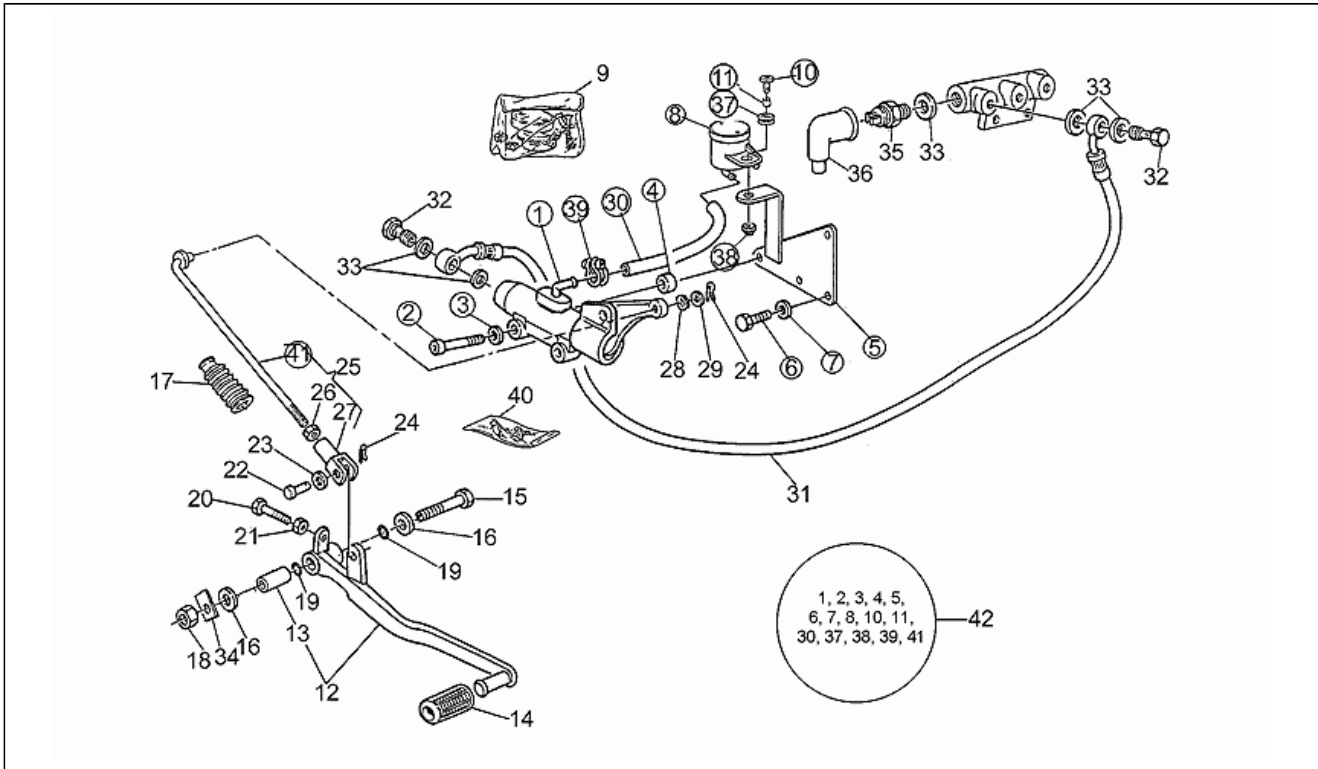
Pos.	Code	Description	Q.ty	Variants
1	GU28540200	Swing arm	1	
2	GU98052535	Screw	1	
3	GU95004210	Washer 10,2x18x2	1	
4	GU14547800	Nut	2	
5	GU12547200	Spacer	2	
6	GU14547001	Pin	2	
7	GU90403040	Gasket ring	2	
8	GU92249217	Bearing	2	
9	GU18548000	Protection collar	1	
10	GU12548401	Clamp	1	
11	GU12548201	Hose clamp 62/82 mm	1	
12	GU30328031	Coupling	1	
13	GU90272062	Circlip	1	
14	GU92204230	Ball bearing 30x62x16	1	
15	GU29541850	Pin	1	
16	GU28326350	Drive shaft	1	
17	GU12327700	Hose	1	
18	GU90271020	Snap ring	3	
19	GU14498550	Plug	1	
20	GU93180105	Plug	2	
21	GU90706584	Gasket 58,42x2,62	1	

Assembly	FRAME
Code	33.10
Description	Rear brake m.cyl. mod.group
Revision	1



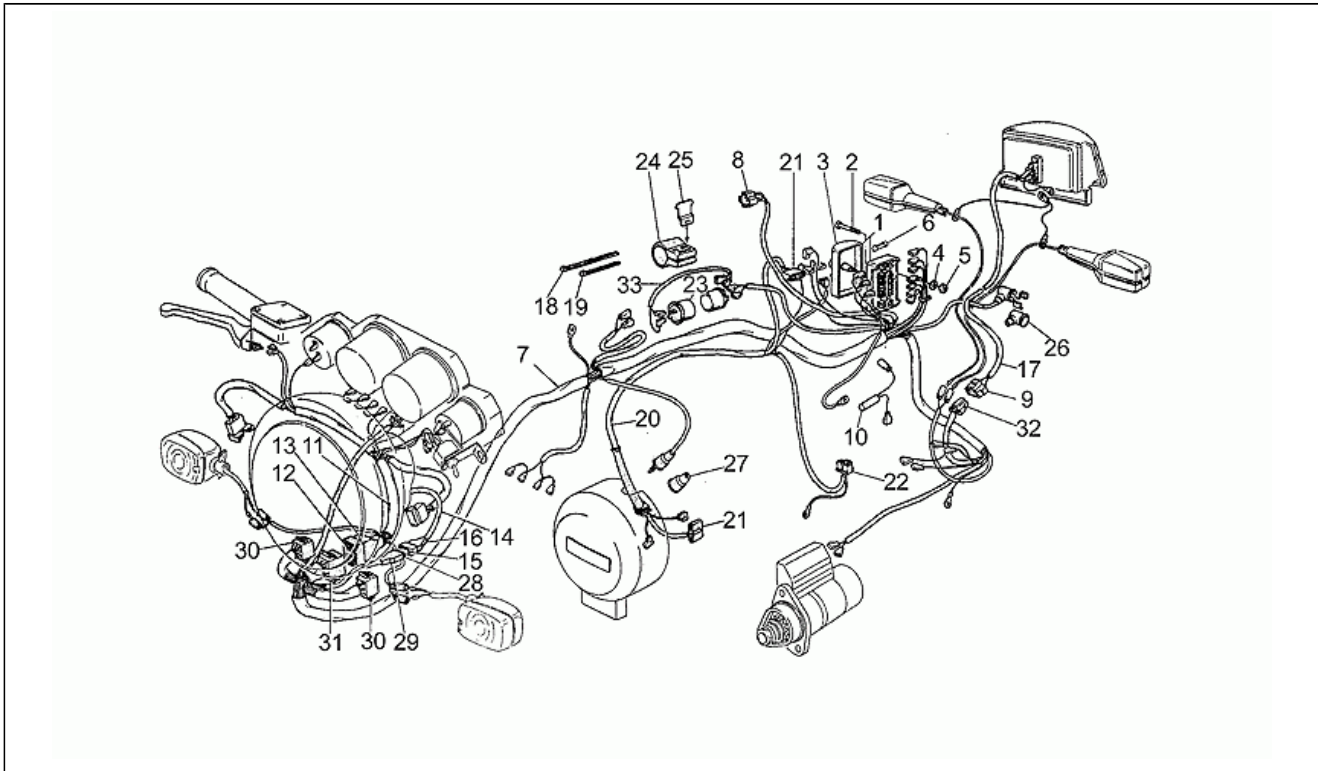
Pos.	Code	Description	Q.ty	Variants
1	GU30666960	Rear master cylinder	1	
2	GU98622345	Screw	2	
3	GU14217901	Washer 6,4x10x0,7	2	
4	GU91180718	Spacer	2	
5	GU28666748	Support plate	1	
6	GU98054416	Hex screw M8X16	2	
7	GU14615901	Washer 8,4X13X0,8	2	
8	GU30665000	Brake oil tank	1	
9	GU30661100	Tank cover	1	
10	GU98230616	Screw	1	
11	GU91180607	Spacer	1	
12	GU28676548	Brake lever	1	
13	GU28252010	Bush	1	
14	GU14251001	Rubber spacer	1	
15	GU30252360	Screw	1	
16	GU95100409	Washer	2	
17	GU17093850	Cap	1	
18	GU92701120	Nut	1	
19	GU90706108	O-ring	2	
20	GU98054320	Hex screw M6X20	1	
21	GU92602206	Nut	1	
22	GU95770265	Pin	1	
23	GU95129110	Washer	1	
24	GU95500222	Split pin	2	
25	GU28675048	Change gear tie rod compl.	1	
26	GU92700073	Nut	1	
27	GU95740175	Fork	1	
28	GU95129130	Spring washer	1	

Assembly	FRAME
Code	33.10
Description	Rear brake m.cyl. mod.group
Revision	1



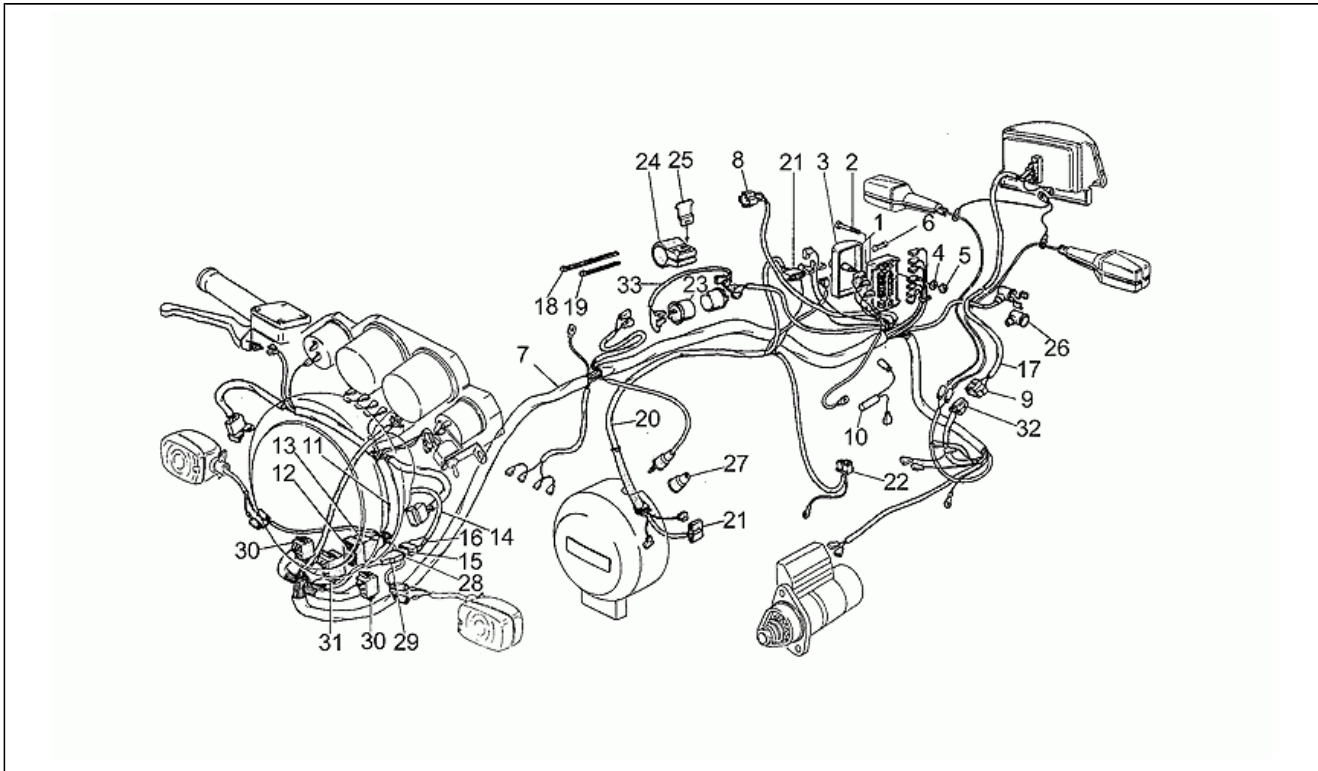
Pos.	Code	Description	Q.ty	Variants
29	GU95100173	Washer 7,5x13x1	1	
30	GU00823950050	Oil pipe	1	
31	GU28658500	Divider-pump pipe	1	
32	GU95990028	Oil pipe screw *	2	
33	GU25656100	Gasket	5	
34	GU95184014	Safety plate	1	
35	GU63657000	Switch	1	
36	GU12735100	Cap	1	
37	GU91551085	Rubber spacer	1	
38	GU92630206	Nut M6x1	1	
39	GU19157800	Hose clamp	2	
40	GU19659500	Pump connection overhaul unit	1	
41	GU28675148	Tie rod	1	
42	GU28999648	Rear brake master cyl.kit	1	

Assembly	FRAME
Code	33.11
Description	Electrical system
Revision	1



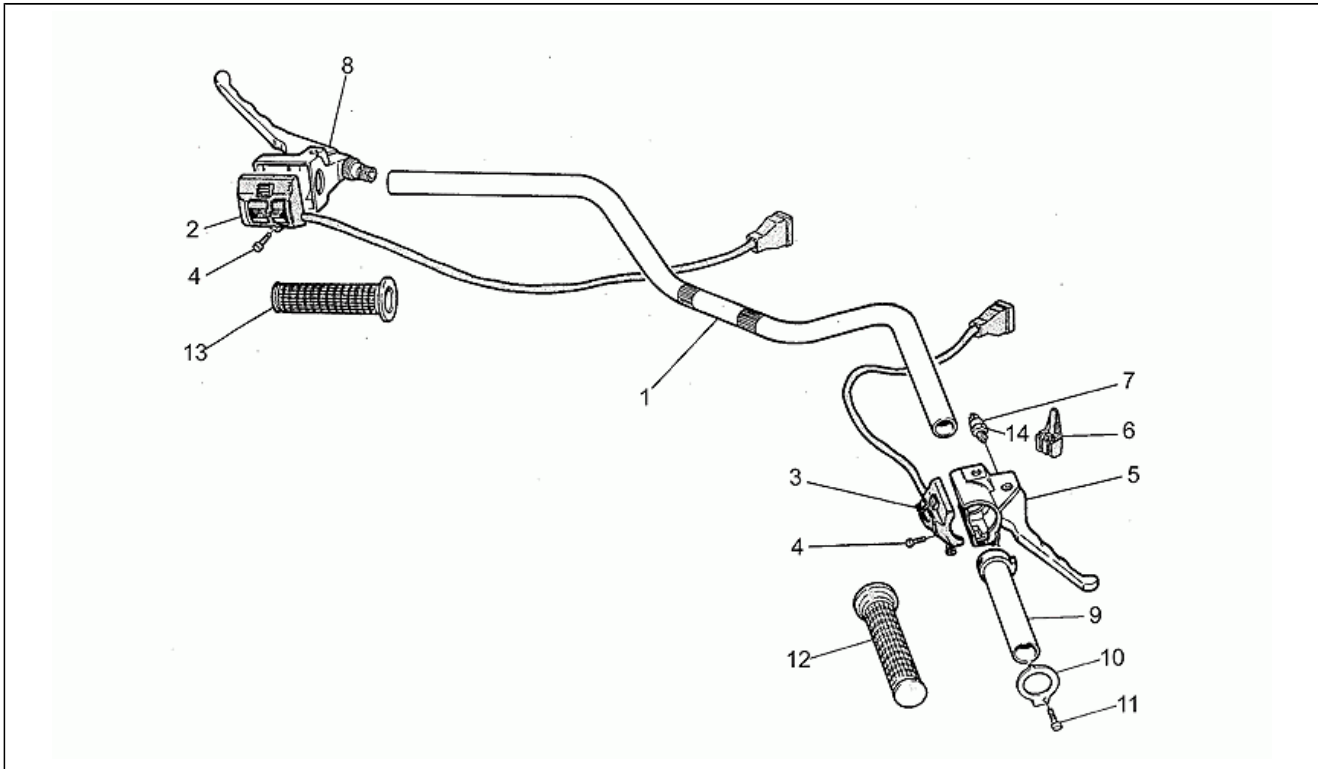
Pos.	Code	Description	Q.ty	Variants
1	GU17743000	Rubber fuse box	1	
2	GU98202530	Screw	2	
3	GU17743100	Cover	1	
4	GU95000205	Washer	2	
5	GU92630105	Nut	2	
6	GU17742550	Fuse 16A	6	
7	GU28747140	Electrical system	1	
8	GU19732400	Connector	1	
9	GU14756152	Connector	1	
10	GU28727200	Resistance	1	
11	GU28747200	Dashboard cable	1	
12	GU14756251	Connector 15 vie	1	
13	GU17756000	Cap	1	
14	GU14747455	Headlight wiring w/harness	1	
15	GU17755860	4-way connector	1	
16	GU17755783	Cap	1	
17	GU28747350	Taillight wiring harn.	1	
18	GU14609650	Hose clamp 3,6x20,6	32	
19	GU49609601	Hose clamp 2,4x92	3	
20	GU28726300	Alternator-regulator wiring	1	
21	GU61712500	Connector 3 vie	2	
22	GU61712600	Connector	1	
23	GU17750520	Flasher unit	2	
24	GU17751200	Block	1	
25	GU17750400	Plate	1	
26	GU12735100	Cap	1	
27	GU12717600	Cap	1	
28	GU17756160	4-way connector	1	

Assembly	FRAME
Code	33.11
Description	Electrical system
Revision	1



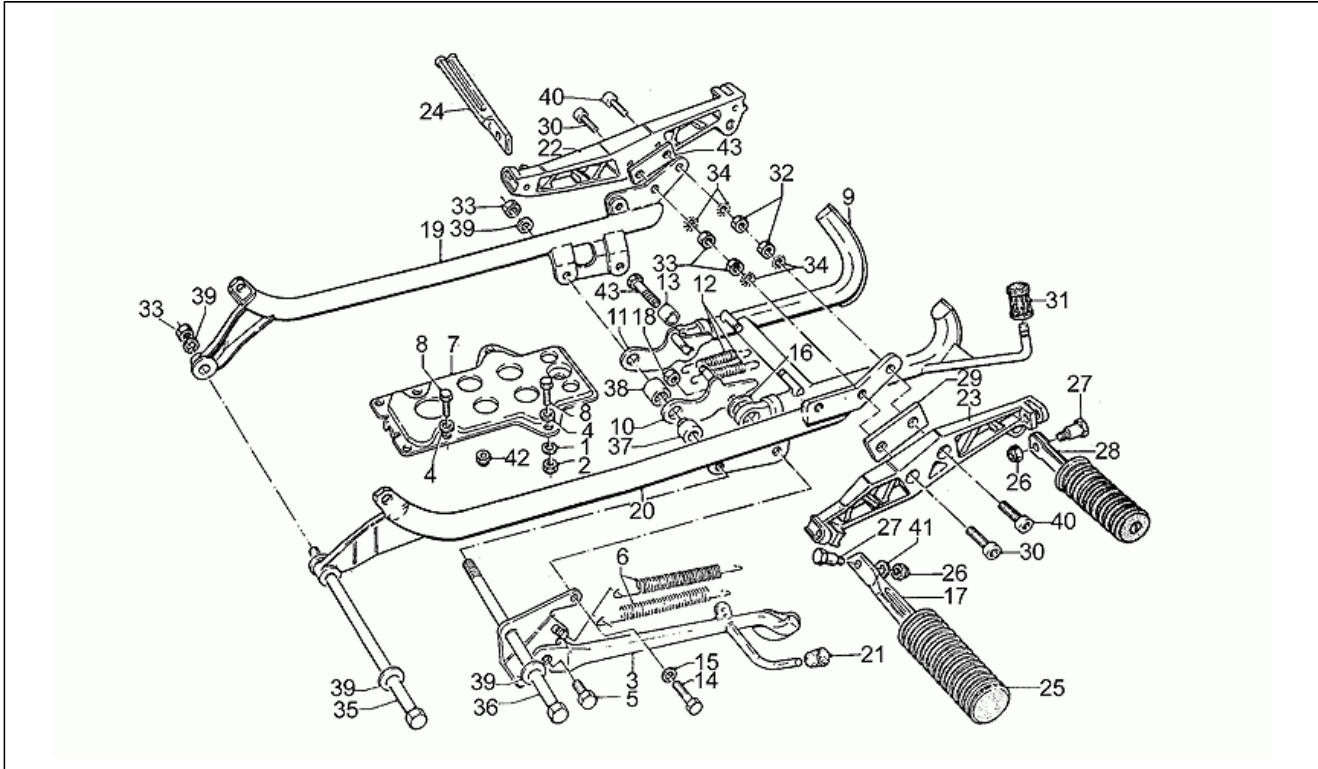
Pos.	Code	Description	Q.ty	Variants
29	GU17756060	Cap	1	
30	GU65723001	Connector 9 vie	2	
31	GU14756150	Connector 15 vie	1	
32	GU14756250	Connector 3 vie	1	
33	GU18720150	Wiring	1	

Assembly	FRAME
Code	33.12
Description	Handlebar - Controls
Revision	1



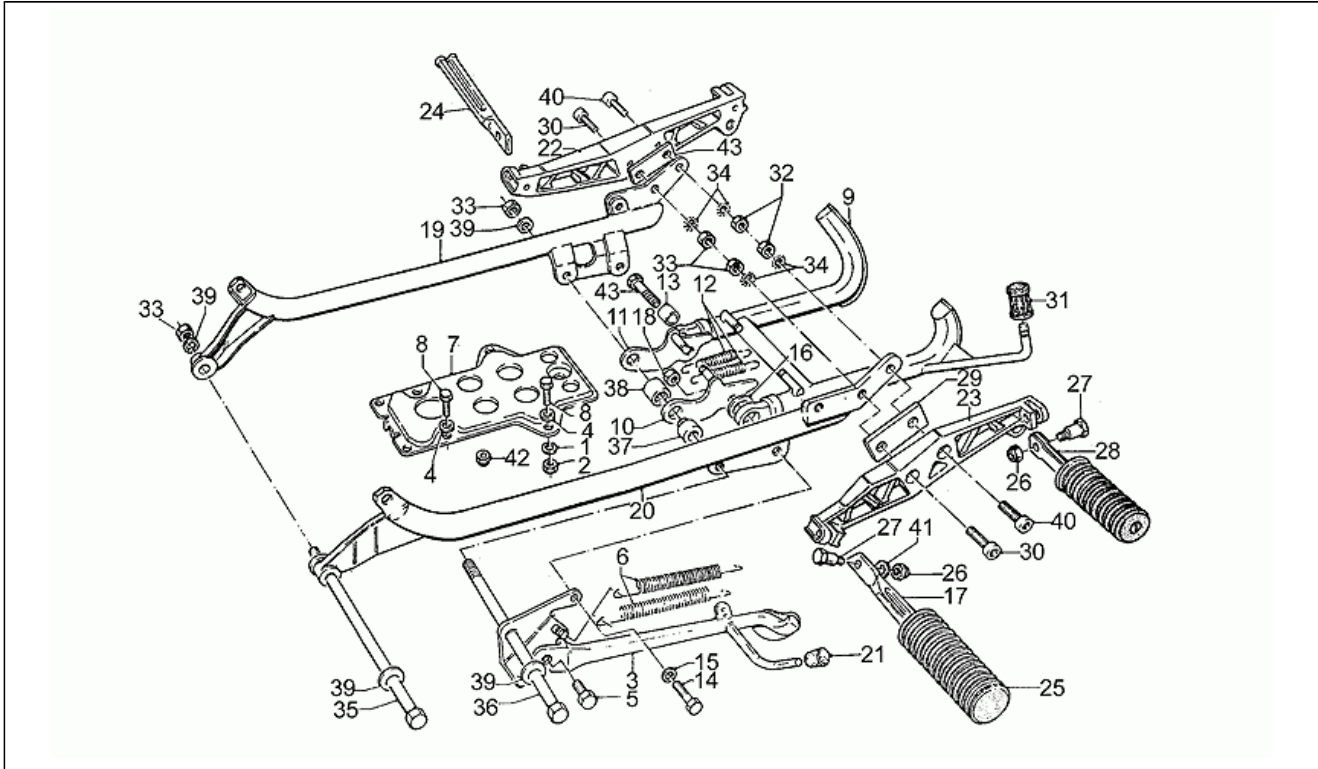
Pos.	Code	Description	Q.ty	Variants
1	GU30600310	Handlebar	1	
2	GU28738040	LH lights selector	1	
3	GU28750340	RH lights selector	1	
4	GU98692312	Hex socket screw M6x12	2	
5	GU28605400	Front brake lever	1	
6	GU65604400	Guide block	1	
7	GU28741100	Brake light switch	1	
8	GU28605500	Clutch lever control	1	
9	GU28603860	Throttle body	1	
10	GU28603600	Cover	1	
11	GU98250405	Screw	1	
12	GU14603500	RH hand grip	1	
13	GU14603000	LH hand grip	1	
14	GU28605100	Nut	1	

Assembly	FRAME
Code	33.13
Description	Foot rests - Lateral stand
Revision	1



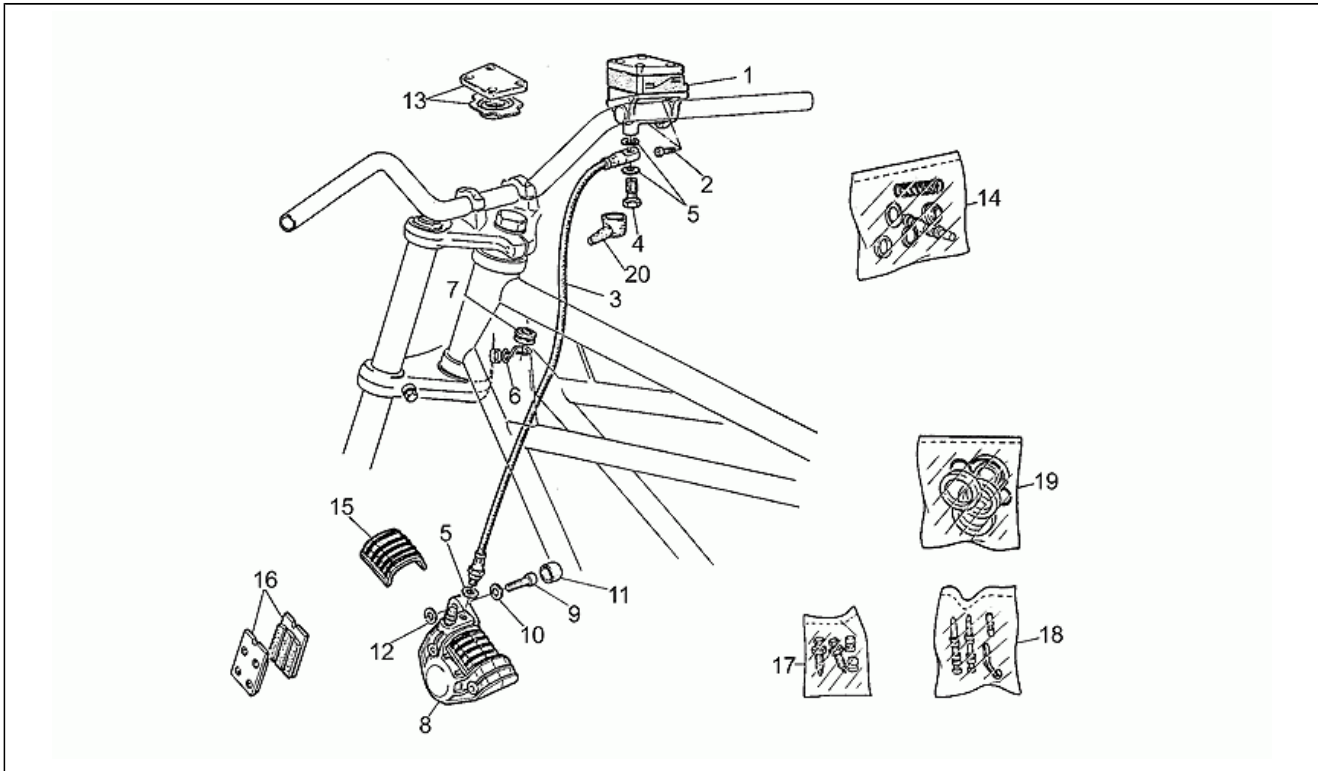
Pos.	Code	Description	Q.ty	Variants
1	GU95021108	Spring washer	2	
2	GU92602208	Nut M8X1,25	4	
3	GU28432010	Lateral stand	1	
4	GU95004208	Washer	7	
5	GU99105129	Pin	1	
6	GU19434000	Spring	2	
7	GU14418200	Plate	1	
8	GU98054416	Hex screw M8X16	5	
9	GU30430310	Central stand	1	
10	GU14433200	LH plate	1	
11	GU14432900	RH plate	1	
12	GU12434001	Lateral stand spring	2	
13	GU14433500	LH bush	2	
14	GU98052545	Screw	1	
15	GU95004210	Washer 10,2x18x2	2	
16	GU14433400	Spring washer 19x34x1,5	2	
17	GU28441810	LH Foot rests	1	
18	GU92630110	Nut M10X1,5	2	
19	GU17420350	RH cradle arm	1	
20	GU28422110	LH cradle arm	1	
21	GU14423800	Rubber spacer	1	
22	GU28443510	RH foot rest support	1	
23	GU28446010	LH footrest support	1	
24	GU28440710	Front RH footrest	1	
25	GU28443201	Rubber pedal	2	
26	GU92630206	Nut M6x1	4	
27	GU28442200	Screw	4	
28	GU28442310	Rear footrest	2	

Assembly	FRAME
Code	33.13
Description	Foot rests - Lateral stand
Revision	1



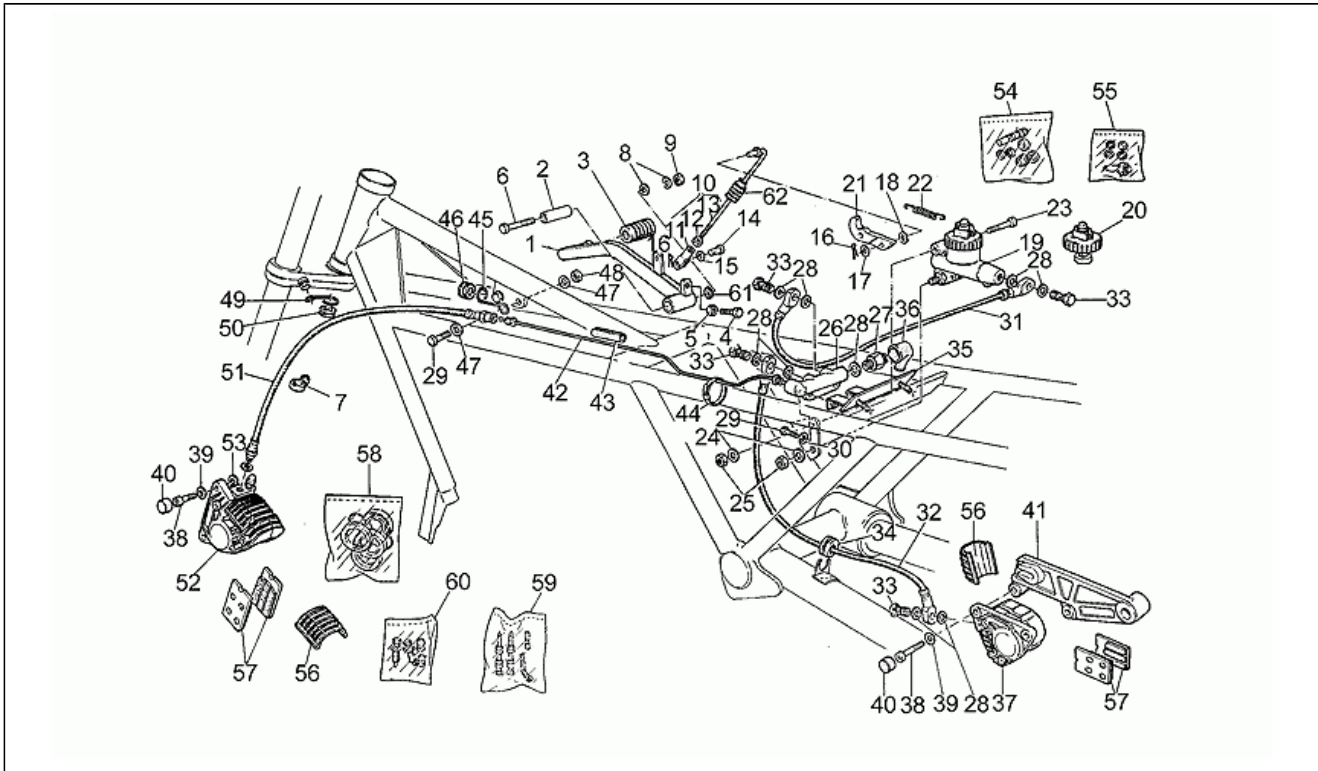
Pos.	Code	Description	Q.ty	Variants
29	GU17444250	Plate	2	
30	GU98823635	Screw	2	
31	GU13432640	Rubber pedal	1	
32	GU92602512	Low nut M12x1,25	2	
33	GU92602312	Nut	6	
34	GU95021112	Notched washer	4	
35	GU14429500	Pin	1	
36	GU14429600	Screw	1	
37	GU14429900	LH outer spacer	2	
38	GU14429800	Spacer	2	
39	GU95000213	Washer	4	
40	GU98623640	Screw M12X40	2	
41	GU95129115	Washer	2	
42	GU92630108	Nut	1	
43	GU98052555	Screw	1	

Assembly	FRAME
Code	33.14
Description	Front master cilinder
Revision	1



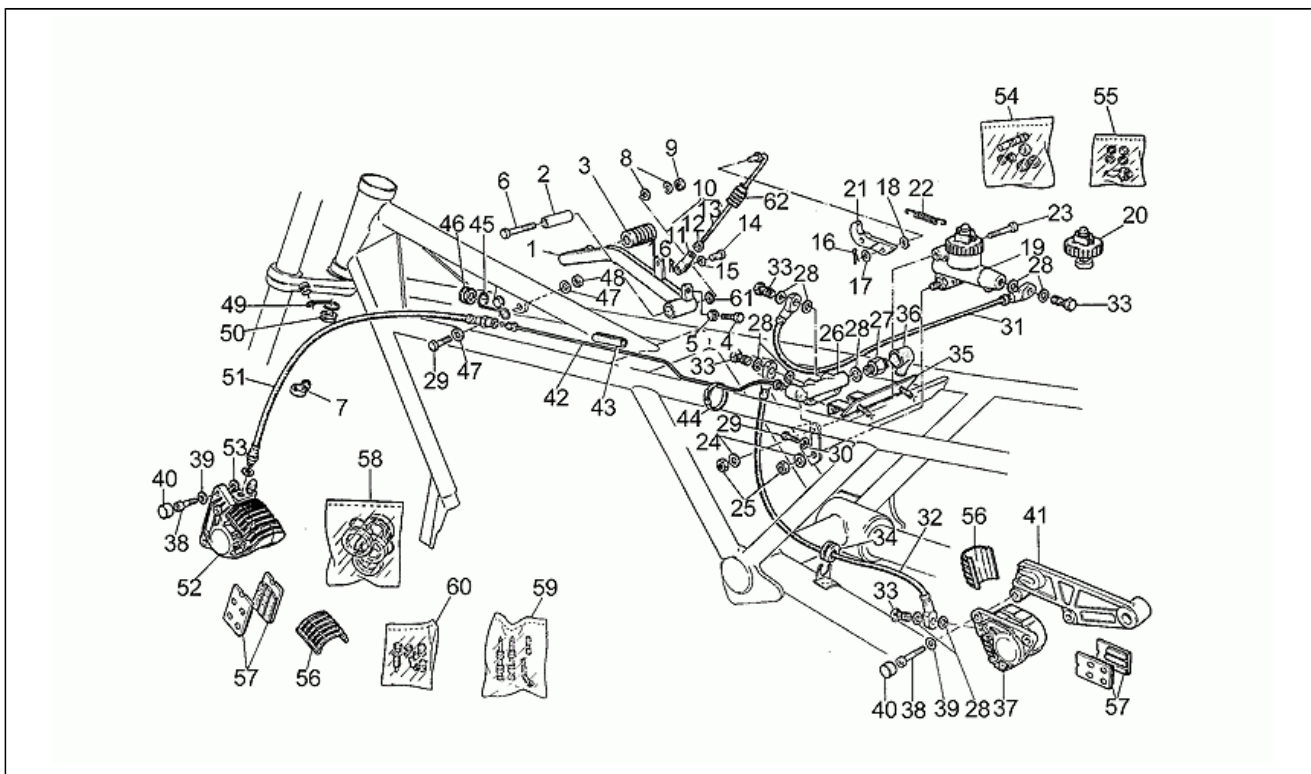
Pos.	Code	Description	Q.ty	Variants
1	GU28660200	Front master cilinder	1	
2	GU98622214	Screw	2	
3	GU28657140	Front brake hose	1	
4	GU95990028	Oil pipe screw *	1	
5	GU25656100	Gasket	3	
6	GU28655700	Brake fluid pipe guide	1	
7	GU91551120	Ring	1	
8	GU28653001	RH front brake caliper	1	
9	GU98054525	Screw	2	
10	GU95129180	Washer 10,5X18X0,8	2	
11	GU14498550	Plug	2	
12	GU95100332	Clearance washer 0,5 mm	1	
12	GU95100333	Clearance washer 0,8 mm	1	
13	GU28661100	Cover	1	
14	GU28659300	Brake mast.cyl rev. kit	1	
15	GU17654760	Brake caliper cover	1	
16	GU28654601	Pads (pair) Frendo 222	1	
17	GU17659260	Bleeder+cap	1	
18	GU14659100	Pins+Caliper springs	1	
19	GU14659000	Brake caliper rev. kit	1	
20	GU39663801	Cap	1	

Assembly	FRAME
Code	33.15
Description	Rear master cylinder
Revision	1



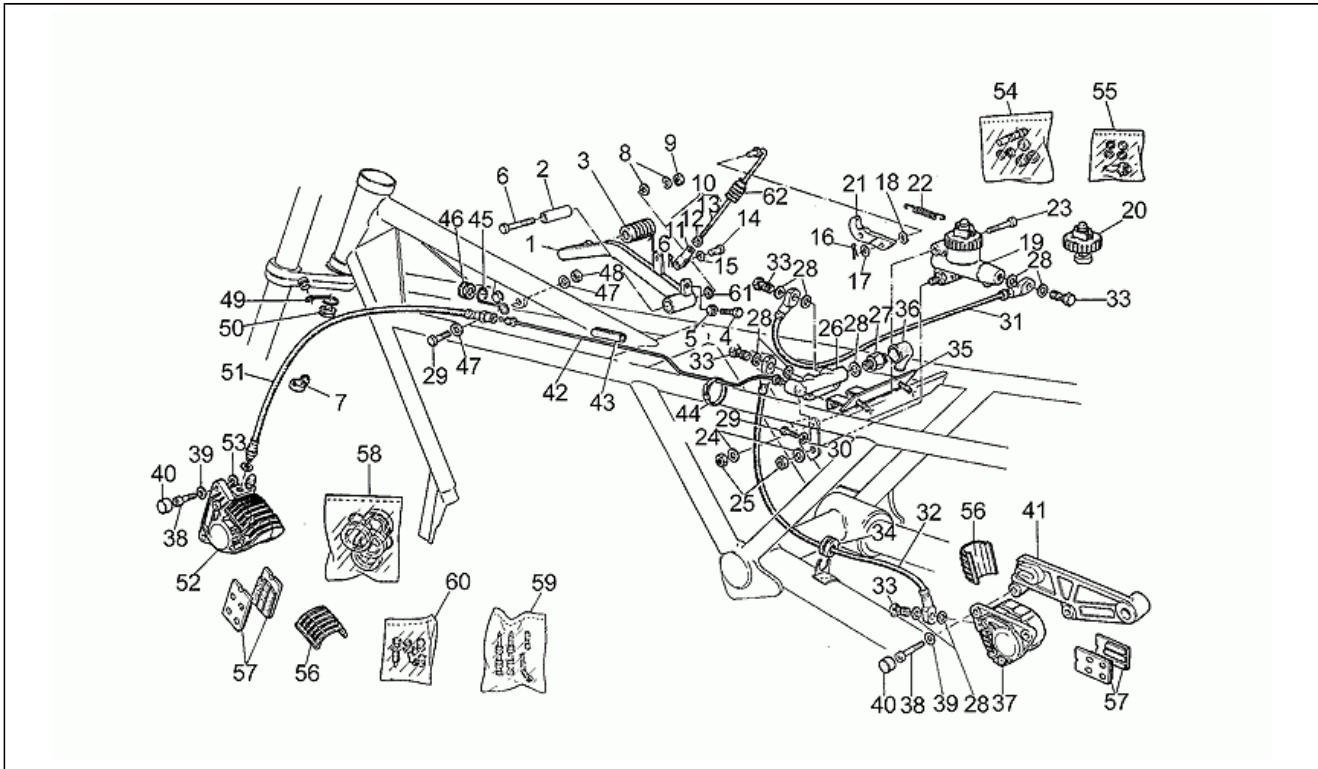
Pos.	Code	Description	Q.ty	Variants
1	GU28676548	Brake lever	1	
2	GU28252010	Bush	1	
3	GU14251001	Rubber spacer	1	
4	GU98054320	Hex screw M6X20	1	
5	GU92602206	Nut	1	
6	GU30252360	Screw	1	
7	GU28659740	Eyelet	2	
8	GU95100409	Washer	2	
9	GU92701120	Nut	1	
10	GU17675050	Change gear tie rod compl.	1	
11	GU95740175	Fork	1	
12	GU92700073	Nut	1	
13	GU17675150	Tie rod	1	
14	GU95770265	Pin	1	
15	GU95129110	Washer	1	
16	GU95500222	Split pin	2	
17	GU95100173	Washer 7,5x13x1	1	
18	GU95129130	Spring washer	1	
19	GU29667000	Rear master cylinder	1	Technical Specifications: See spare parts comm.n.026 of 1999[02699N], Exhausted[E], Order 000289996480[01]
20	GU18667450	Pump cover	1	
21	GU17667551	Pump control lever	1	
22	GU17667651	Spring	1	
23	GU98620440	Screw M8X40	1	
24	GU95021108	Spring washer	2	
25	GU92602208	Nut M8X1,25	2	
26	GU28668046	Distributor	1	
27	GU63657000	Switch	1	

Assembly	FRAME
Code	33.15
Description	Rear master cylinder
Revision	1



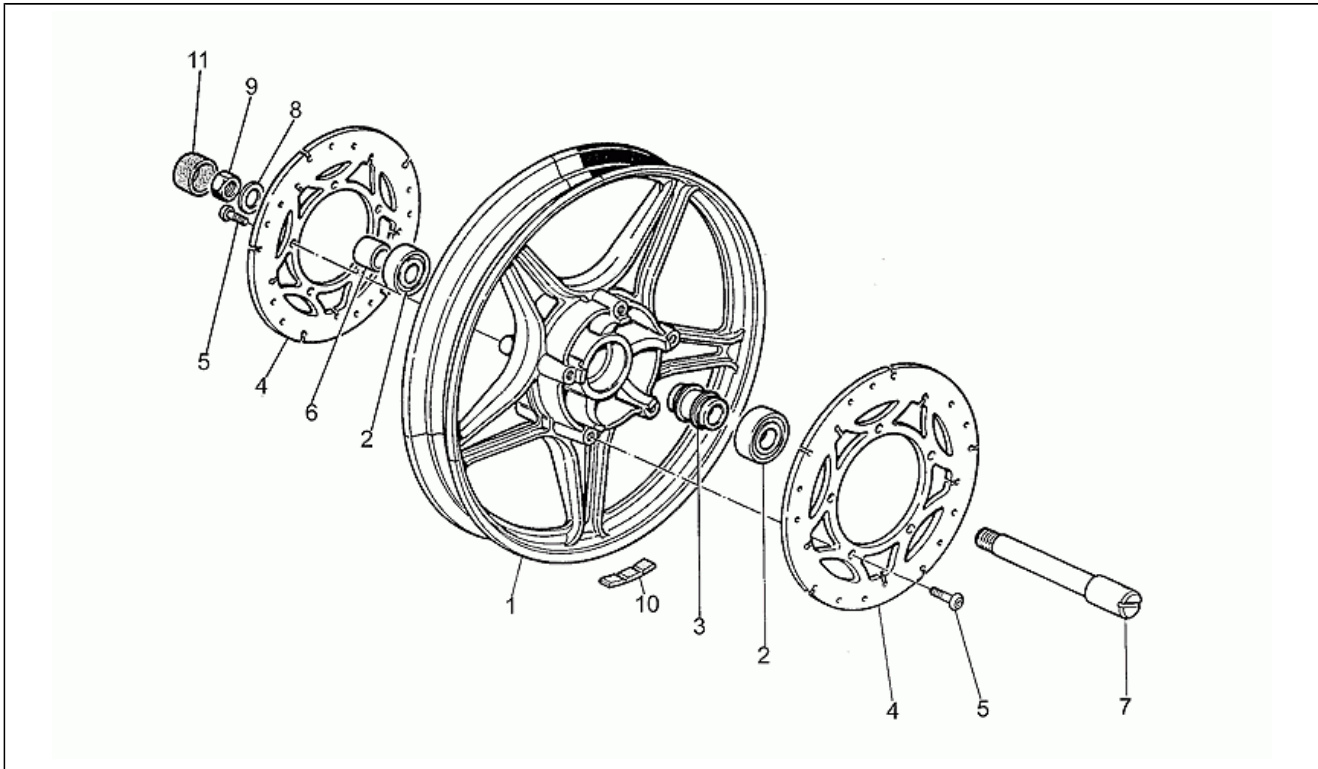
Pos.	Code	Description	Q.ty	Variants
28	GU25656100	Gasket	9	
29	GU98054316	Hex screw M6X16	3	
30	GU95000206	Washer	2	
31	GU28658500	Divider-pump pipe	1	
32	GU28657500	Brake hose	1	
33	GU95990028	Oil pipe screw *	4	
34	GU91551131	Rubber spacer	1	
35	GU28415500	Plate	1	
36	GU12735100	Cap	1	
37	GU28652301	Brake caliper	2	
38	GU98054525	Screw	4	
39	GU95129180	Washer 10,5X18X0,8	4	
40	GU14498550	Plug	4	
41	GU28635800	Rear brake caliper support	1	
42	GU28658700	Pipe	1	
43	GU17659650	Piston ring	2	
44	GU14609650	Hose clamp 3,6x20,6	3	
45	GU28659700	Cable-guide	1	
46	GU91551120	Ring	1	
47	GU95000206	Washer	2	
48	GU92630106	Nut M6x1	1	
49	GU28655700	Brake fluid pipe guide	1	
50	GU91551120	Ring	1	
51	GU28658840	Flexible pipe	1	
52	GU28652301	Brake caliper	1	
53	GU95100332	Clearance washer 0,5 mm	1	
53	GU95100333	Clearance washer 0,8 mm	1	
54	GU17659350	Pump revision kit	1	

Assembly	FRAME
Code	33.15
Description	Rear master cylinder
Revision	1



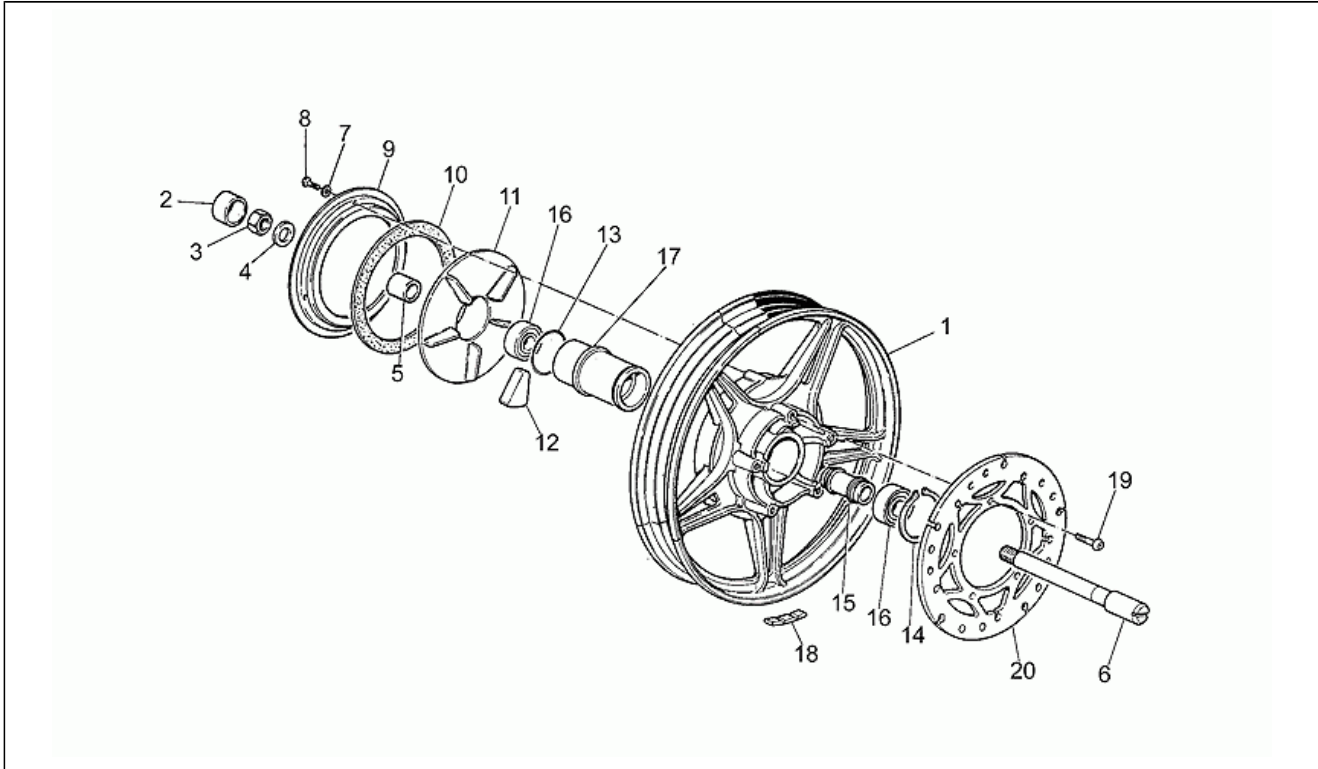
Pos.	Code	Description	Q.ty	Variants
55	GU14659450	Pads kit	1	
56	GU17654760	Brake caliper cover	2	
57	GU28654601	Pads (pair) Frendo 222	2	
58	GU14659000	Brake caliper rev. kit	1	
59	GU14659100	Pins+Caliper springs	1	
60	GU17659260	Bleeder+cap	1	
61	GU90706108	O-ring	2	
62	GU17093850	Cap	1	

Assembly	FRAME
Code	33.16
Description	Front wheel
Revision	1



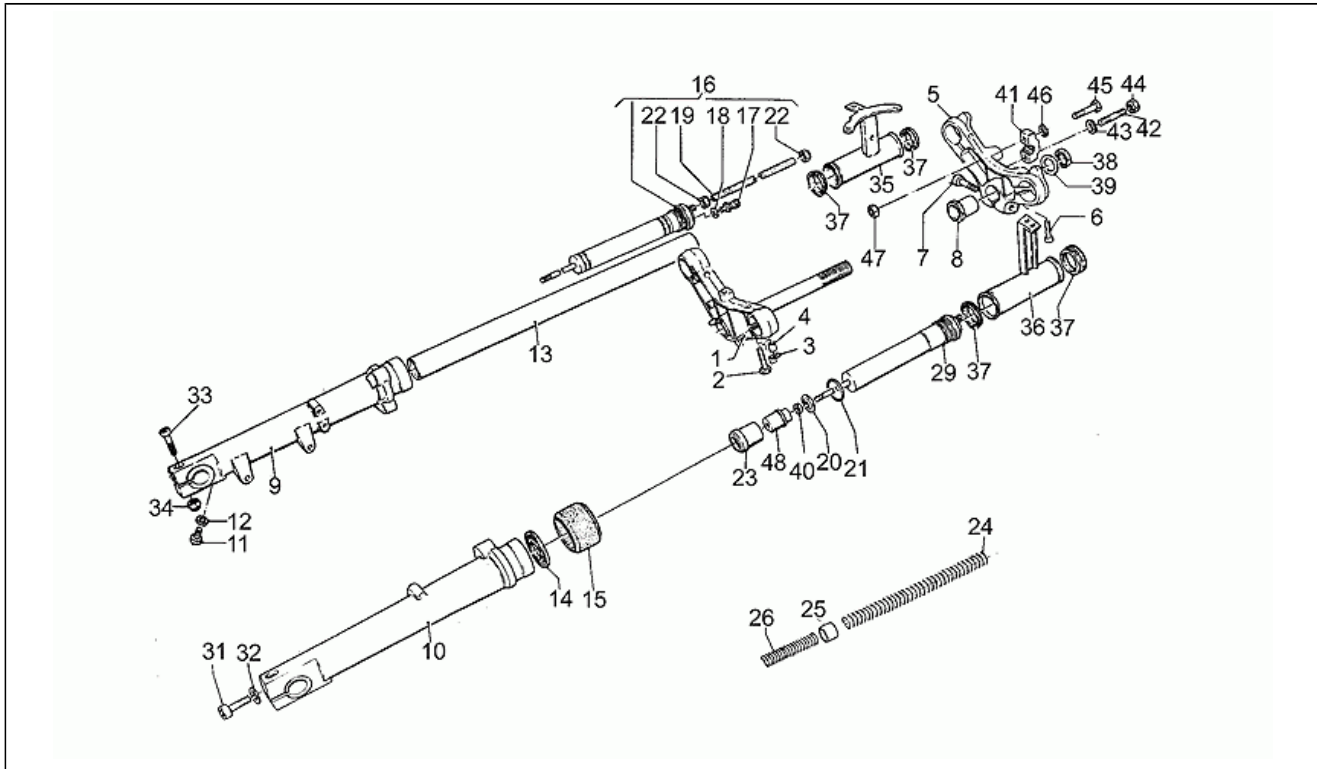
Pos.	Code	Description	Q.ty	Variants
1	GU28610300	Front wheel	1	
2	GU92204221	Bearing	2	
3	GU17615360	Bearing internal spacer	1	
4	GU28613300	Brake disc	2	
5	GU98230825	Screw	10	
6	GU28616300	Spacer	1	
7	GU28614100	Front wheel spindle	1	
8	GU95004217	Washer 17X27X2	1	
9	GU92602516	Nut M16X1,5	1	
10	GU14616150	Counterweight	2	
11	GU62616800	Plug	1	

Assembly	FRAME
Code	33.17
Description	Rear wheel
Revision	1



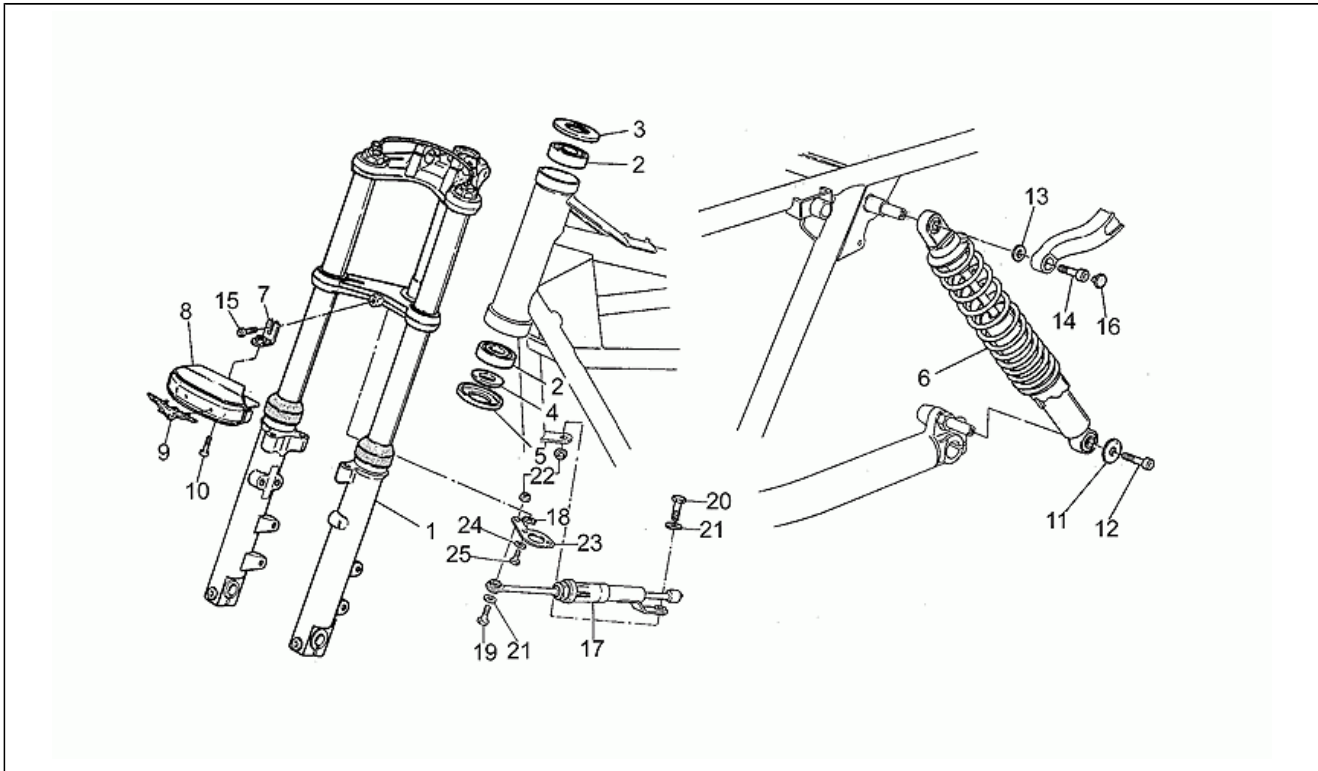
Pos.	Code	Description	Q.ty	Variants
1	GU28630642	Rear wheel	1	
2	GU62616800	Plug	1	
3	GU92602316	Nut M6X1,5	1	
4	GU14634400	Washer	1	
5	GU17634150	Spacer	1	
6	GU28633300	Rear wheel spindle	1	
7	GU95021106	Notched washer	3	
8	GU98054320	Hex screw M6X20	3	
9	GU14335650	Flange	1	
10	GU14335350	Ring	1	
11	GU14335203	Flexible coupling disc	1	
12	GU01336800	Rubber cush drive hub	1	
13	GU90706490	O-ring	1	
14	GU90271055	Circlip	1	
15	GU14634050	Bearing internal spacer	1	
16	GU92204220	Ball bearing 20X47X14	2	
17	GU14632250	Hub	1	
18	GU14616150	Counterweight	2	
19	GU98230825	Screw	5	
20	GU28613300	Brake disc	1	

Assembly	FRAME
Code	33.18
Description	Front shock absorber
Revision	1



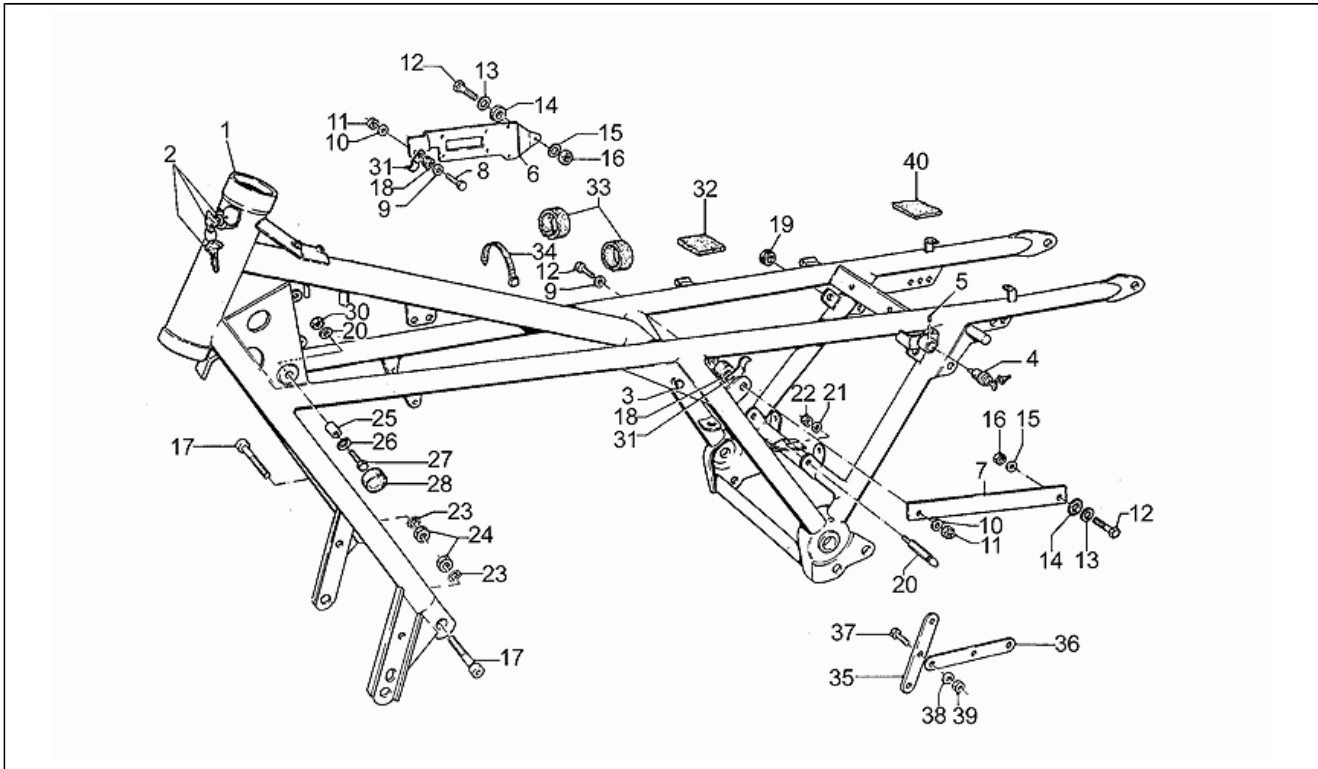
Pos.	Code	Description	Q.ty	Variants
1	GU28494010	Lower fork plate	1	
2	GU98610555	Screw	2	
3	GU95007210	Washer	2	
4	GU91181016	Spacer	2	
5	GU28493100	Fork upper plate	1	
6	GU98610540	Screw	2	
7	GU98612535	Screw	1	
8	GU18516660	Steering lock bush	1	
9	GU285225401	RH sleeve	1	Color:Blank[gr]
10	GU285226401	LH sleeve	1	Color:Blank[gr]
11	GU98622318	Hex socket screw M6X18	2	
12	GU95100116	Washer 6,25x10x1,5	2	
13	GU28525440	Sleeve	2	
14	GU90403857	Oil seal	2	
15	GU28524500	Dust cover	2	
16	GU28526440	Right shock absorber	1	
17	GU28528250	Air valve	1	
18	GU28556350	Copper washer	1	
19	GU28529650	Pipe	1	
20	GU28526540	Cup	2	
21	GU90706282	Gasket ring	2	
22	GU14936400	Nut	2	
23	GU20527620	Bush	2	
24	GU28526940	Fork spring	2	
25	GU28527940	Spring guide	2	
26	GU28526640	Lower spring	2	
29	GU28521040	Left shock absorber	1	
31	GU98622530	Screw	2	

Assembly	FRAME
Code	33.19
Description	Front/rear shock absorber
Revision	1



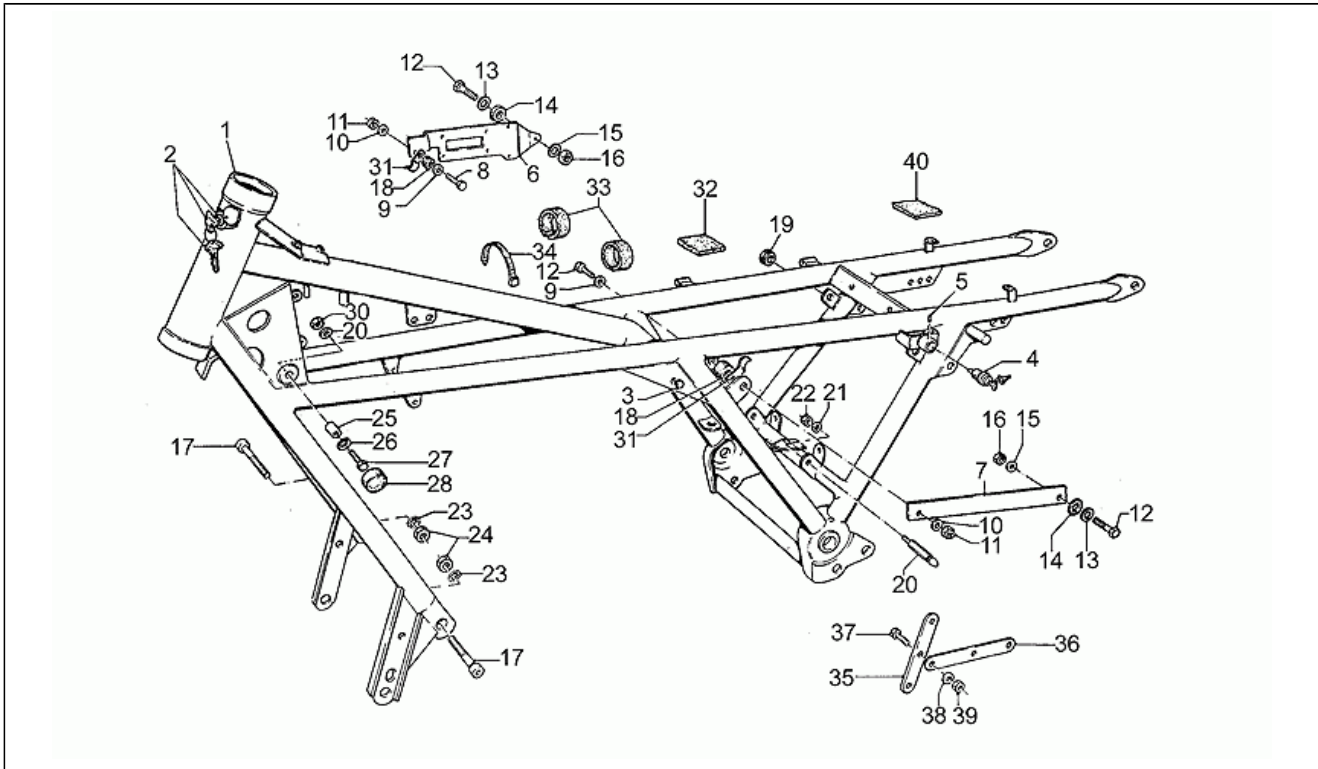
Pos.	Code	Description	Q.ty	Variants
1	GU28490315	Front fork	1	Color: Red 107[r] Technical Specifications: Exhausted[E]
1	GU28490342	Front fork	1	Color: Dark smokey grey 343[g.d] Technical Specifications: Exhausted[E]
2	GU92249225	Tap.roller bearing	2	
3	GU14494600	Cup	1	
4	GU14516700	Clearance washer	1	
5	GU14517000	Dust cover	1	
6	GU28550240	Rear shock absorber	2	
7	GU28578810	Clamp	1	
8	GU62497820	Guard	1	
9	GU29482000	Decal "Aquila"	1	
10	GU98326016	Screw	1	
11	GU95100239	Washer	2	
12	GU98074416	Screw	2	
13	GU95000208	Washer	2	
14	GU98822425	Screw	2	
15	GU98054320	Hex screw M6X20	1	
16	GU93180206	Rubber spacer	2	
17	GU17530260	Steering shock absorber	1	
18	GU95100121	Washer 5,3x10x0,5	1	
19	GU98052325	Screw	1	
20	GU98054320	Hex screw M6X20	1	
21	GU95000206	Washer	1	
22	GU92630106	Nut M6x1	1	
23	GU28528950	Shock absorber support	1	
24	GU95021106	Notched washer	2	
25	GU98054314	Screw	2	

Assembly	FRAME
Code	33.20
Description	Frame
Revision	1



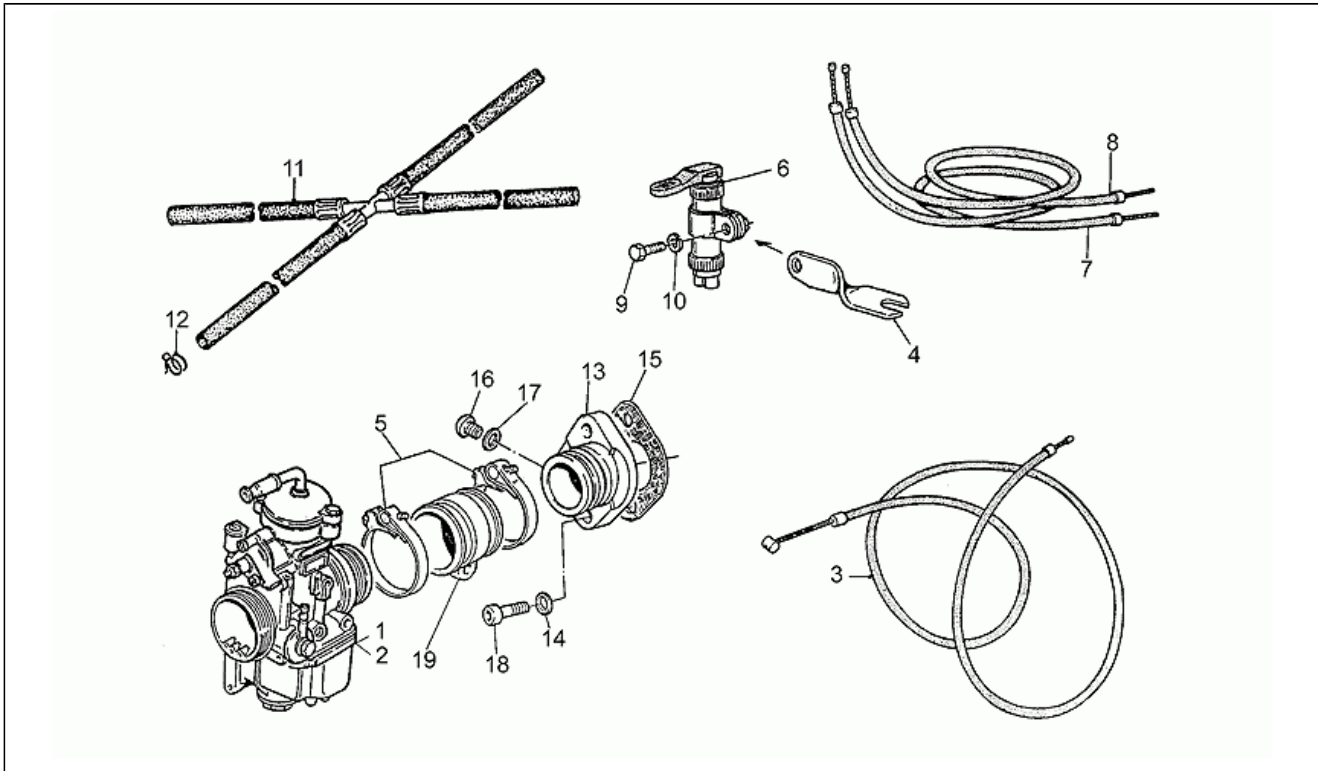
Pos.	Code	Description	Q.ty	Variants
1	GU28400145	Frame	1	
2	GU28782550	Steering lock	1	
3	GU93180080	Plug	4	
4	GU35782780	Saddle lock	1	
5	GU35782880	Threaded pin	1	
6	GU28424800	Plate	1	
7	GU17424150	Coil support plate	1	
8	GU98054325	Screw	2	
9	GU95100121	Washer 5,3x10x0,5	2	
10	GU95000206	Washer	2	
11	GU92630106	Nut M6x1	2	
12	GU98054320	Hex screw M6X20	3	
13	GU95100141	Washer 6,4x12x1,2	2	
14	GU93110060	Rubber spacer	2	
15	GU95000206	Washer	2	
16	GU92630106	Nut M6x1	2	
17	GU98623630	Hex socket screw M12X30	2	
18	GU14103800	Drift	2	
19	GU91551082	Rubber spacer	2	
20	GU17478550	LH pin	2	
21	GU95000206	Washer	2	
22	GU92630106	Nut M6x1	2	
23	GU95021112	Notched washer	2	
24	GU92602312	Nut	2	
25	GU91180605	Spacer	2	
26	GU39103500	Disc	2	
27	GU98054318	Screw	2	
28	GU95004206	Washer 6,15x11x0,8	2	

Assembly	FRAME
Code	33.20
Description	Frame
Revision	1



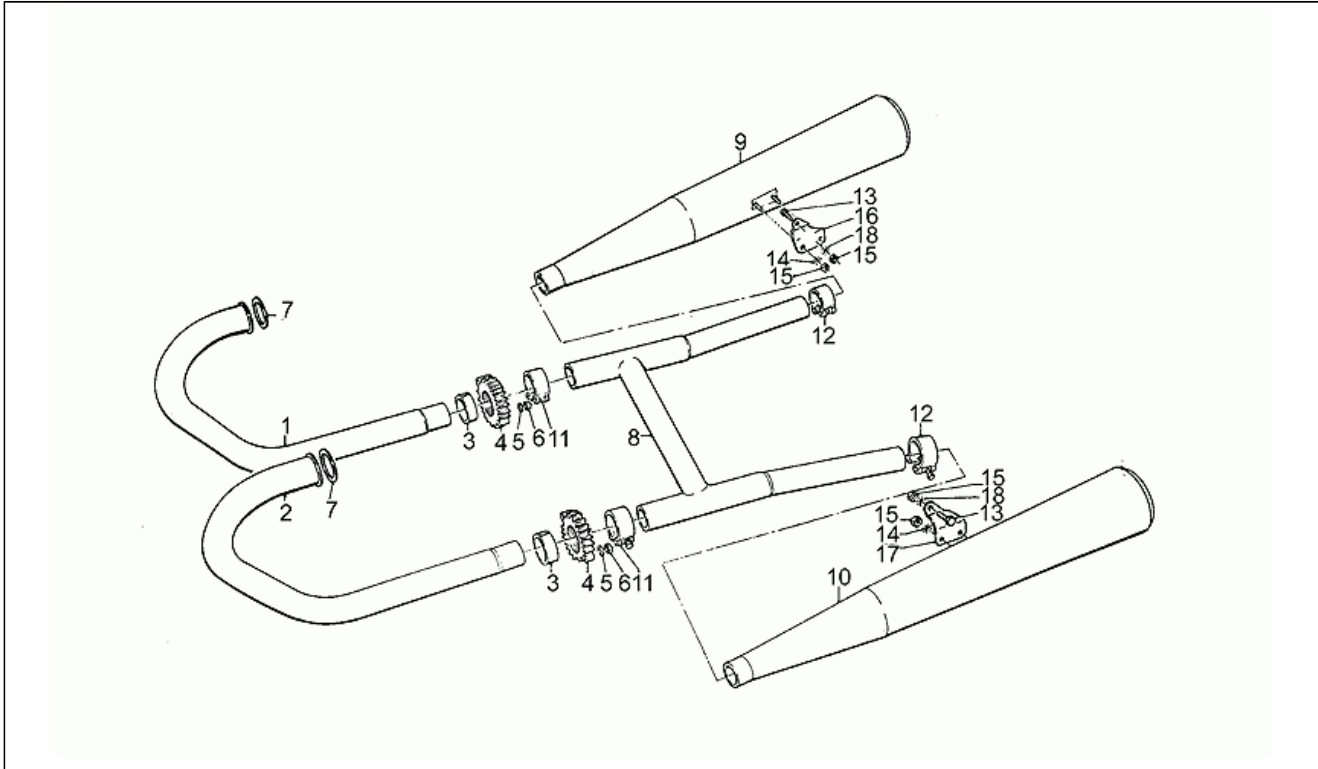
Pos.	Code	Description	Q.ty	Variants
29	GU92630106	Nut M6x1	2	
30	GU39103400	Drift	2	
31	GU93301313	U-bolt	2	
32	GU17489645	Vibration-damping rubber	2	
33	GU28109040	Drift	2	
34	GU14609650	Hose clamp 3,6x20,6	3	
35	GU14716750	Plate	1	
36	GU147040501	Plate	1	
37	GU98054316	Hex screw M6X16	1	
38	GU95000206	Washer	1	
39	GU92630106	Nut M6x1	1	
40	GU28438900	Rubber spacer	4	

Assembly	FRAME
Code	33.23
Description	Fuel supply
Revision	1



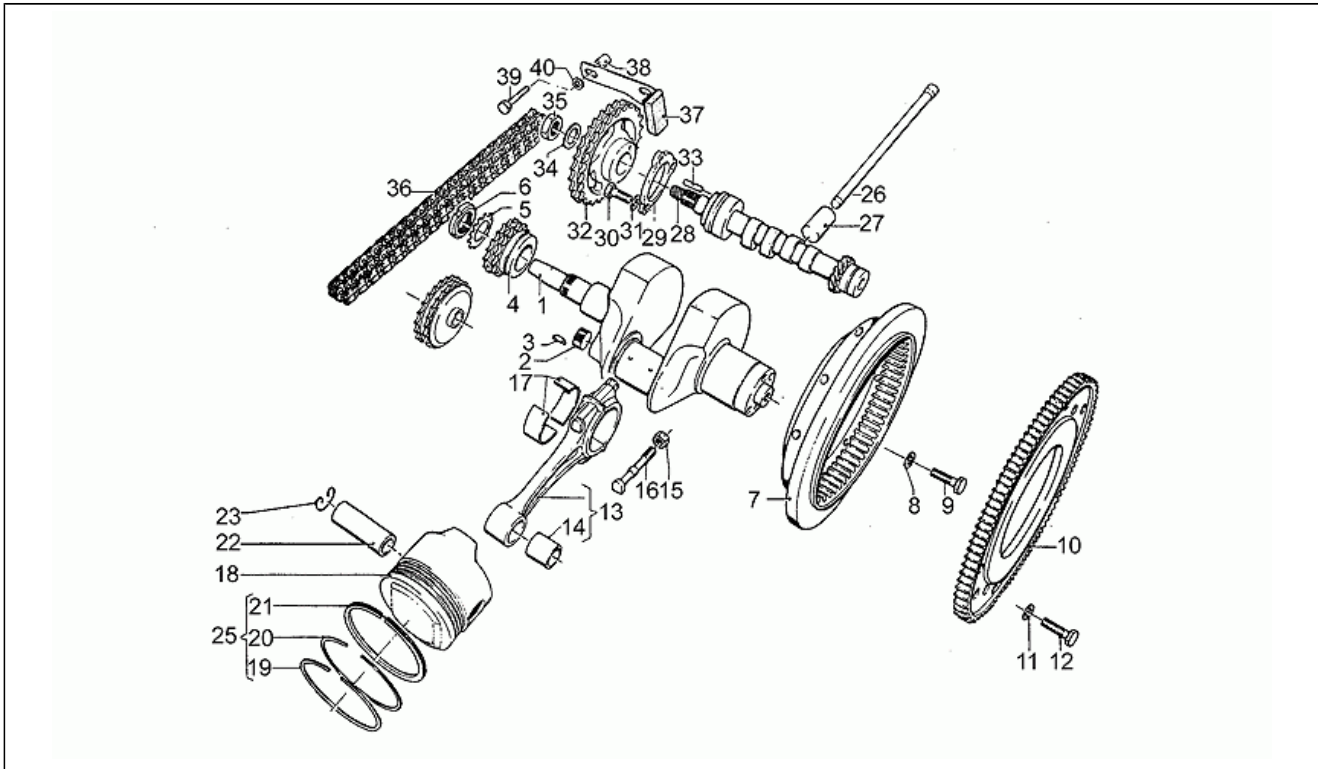
Pos.	Code	Description	Q.ty	Variants
1	GU28112610	Carburettor RH	1	
2	GU28112611	Carburettor LH	1	
3	GU28117511	Throttle cable	2	
4	GU28135660	Plate	1	
5	GU93305057	Hose clamp 57x59,5x10	4	
6	GU17133151	Starter lever	1	
7	GU17133550	LH choke cable	1	
8	GU17133560	RH choke cable	1	
9	GU98074216	Screw	1	
10	GU95021105	Notched washer	1	
11	GU29106500	Fuel pipe	1	
12	GU28108410	Hose clamp	4	
13	GU29115020	Intake manifold	2	
14	GU95004206	Washer 6,15x11x0,8	6	
15	GU14115550	Gasket	2	
16	GU98326009	Screw	2	
17	GU95100116	Washer 6,25x10x1,5	2	
18	GU98620330	Screw M6X30	6	
19	GU14114350	Carburettor flange	2	

Assembly	FRAME
Code	33.28
Description	Exhaust unit
Revision	1



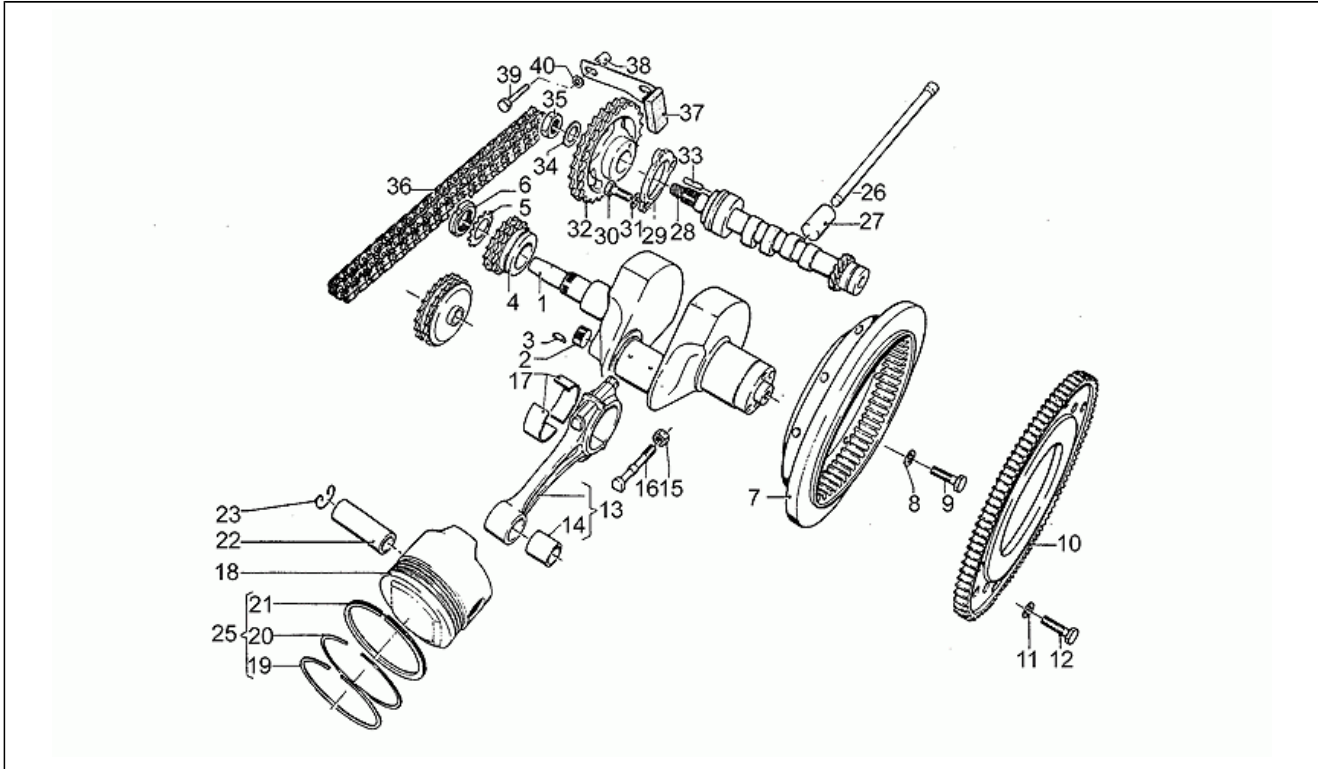
Pos.	Code	Description	Q.ty	Variants
1	GU14120901	RH exhaust pipe	1	
2	GU14120906	LH exhaust pipe	1	
3	GU14121200	Spacer	2	
4	GU17121061	Flange	2	
5	GU14615901	Washer 8,4X13X0,8	4	
6	GU92781081	Nut	4	
7	GU90718370	Gasket	2	
8	GU17123962	Expansion chamber	1	
9	GU29123000	RH silencer	1	
10	GU29122900	LH silencer	1	
11	GU14126900	Hose clamp	2	
12	GU14123400	Hose clamp	2	
13	GU98622425	Hex socket screw M8X25	2	
14	GU95021108	Spring washer	6	
15	GU92602208	Nut M8X1,25	6	
16	GU19128660	RH plate	1	
17	GU19128760	LH plate	1	
18	GU61270300	Spring washer 8x15x0,3	2	

Assembly	ENGINE
Code	34.21
Description	Drive shaft
Revision	1



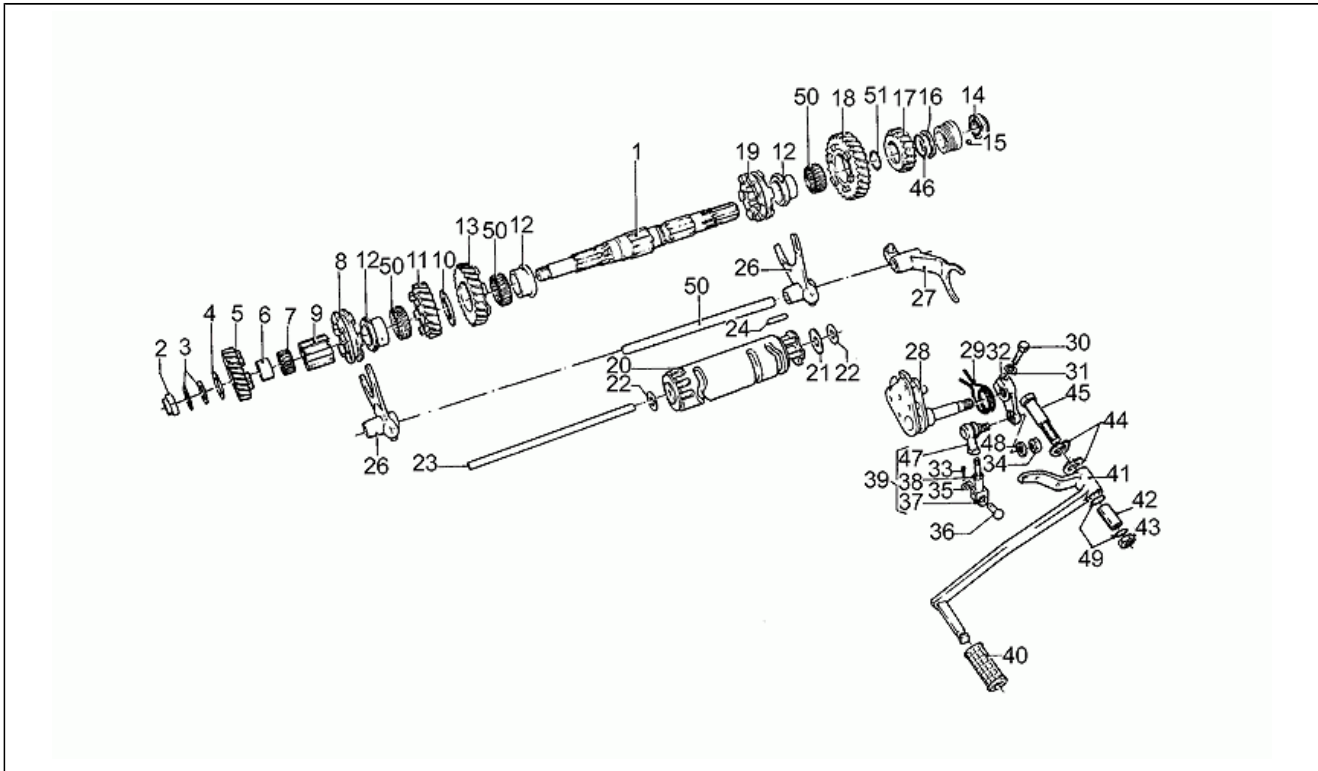
Pos.	Code	Description	Q.ty	Variants
1	GU18064204	Drive shaft	1	
2	GU12065400	Plug	1	
3	GU91702355	Transmission key	1	
4	GU14072001	Pinion	1	
5	GU95028025	Safety washer	1	
6	GU93601026	Ring nut	1	
7	GU17067050	Flywheel	1	
8	GU14615901	Washer 8,4X13X0,8	6	
9	GU12067701	Screw M8X25	6	
10	GU17067900	Chain ring	1	
11	GU14615901	Washer 8,4X13X0,8	8	
12	GU98054420	Hex screw M8X20	8	
13	GU30061500	Connecting rod	2	
14	GU91112128	Bush	2	
15	GU92731090	Self-locking nut	4	
16	GU30062260	Screw	4	
17	GU30062000	Bearing half-shell	4	Technical Specifications: Tolerance standard[std]
17	GU30062001	Bearing half-shell 0,254 mm	4	Technical Specifications: Tolerance min.[M]
17	GU30062002	Bearing half-shell 0,508 mm	4	Technical Specifications: Tolerance min.[M]
17	GU30062003	Bearing half-shell 0,762 mm	4	Technical Specifications: Tolerance min.[M]
18	GU17060451	Piston	2	
19	GU14060705	Upper segment	2	
20	GU17060900	Lower segment	2	
21	GU17061000	Oil scraper ring	2	
22	GU13061260	Piston pin	2	
23	GU27061385	Stop ring	4	
25	GU14060655	Piston rings set	2	
26	GU37045006	Rocker arm rod	4	

Assembly	ENGINE
Code	34.21
Description	Drive shaft
Revision	1



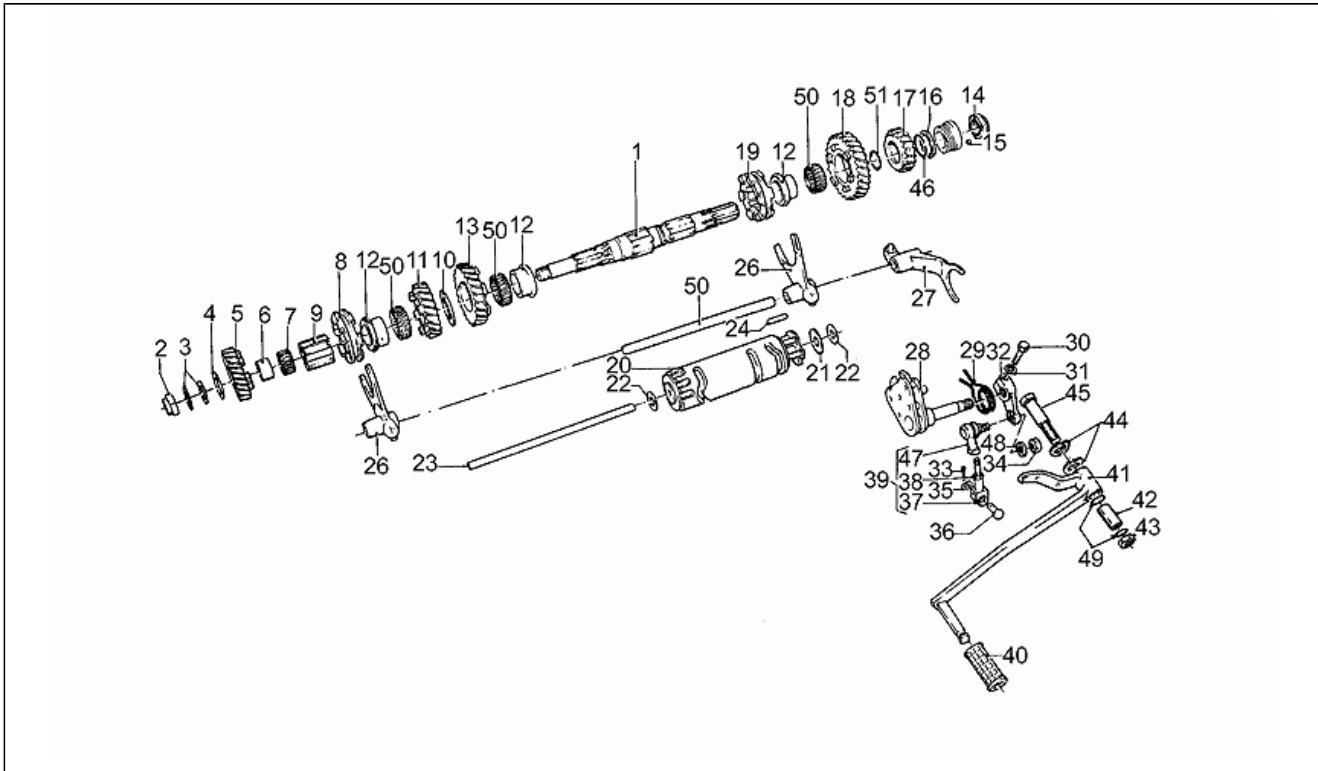
Pos.	Code	Description	Q.ty	Variants
27	GU17045860	Tappet	4	
28	GU14053301	Camshaft	1	
29	GU12054000	Flange	1	
30	GU98054320	Hex screw M6X20	3	
31	GU95120065	Washer 6,5x11x2	3	
32	GU13054502	Timing system gear	1	
33	GU14234600	Pin	1	
34	GU14433400	Spring washer 19x34x1,5	1	
35	GU92602518	Nut M18X1,5	1	
36	GU28058060	Chain	1	
37	GU30057810	Chain tensioner	1	
38	GU91180915	Spacer	2	
39	GU98052435	Hex screw M8X35	2	
40	GU61270300	Spring washer 8x15x0,3	2	

Assembly	ENGINE
Code	34.22
Description	Driven shaft
Revision	1



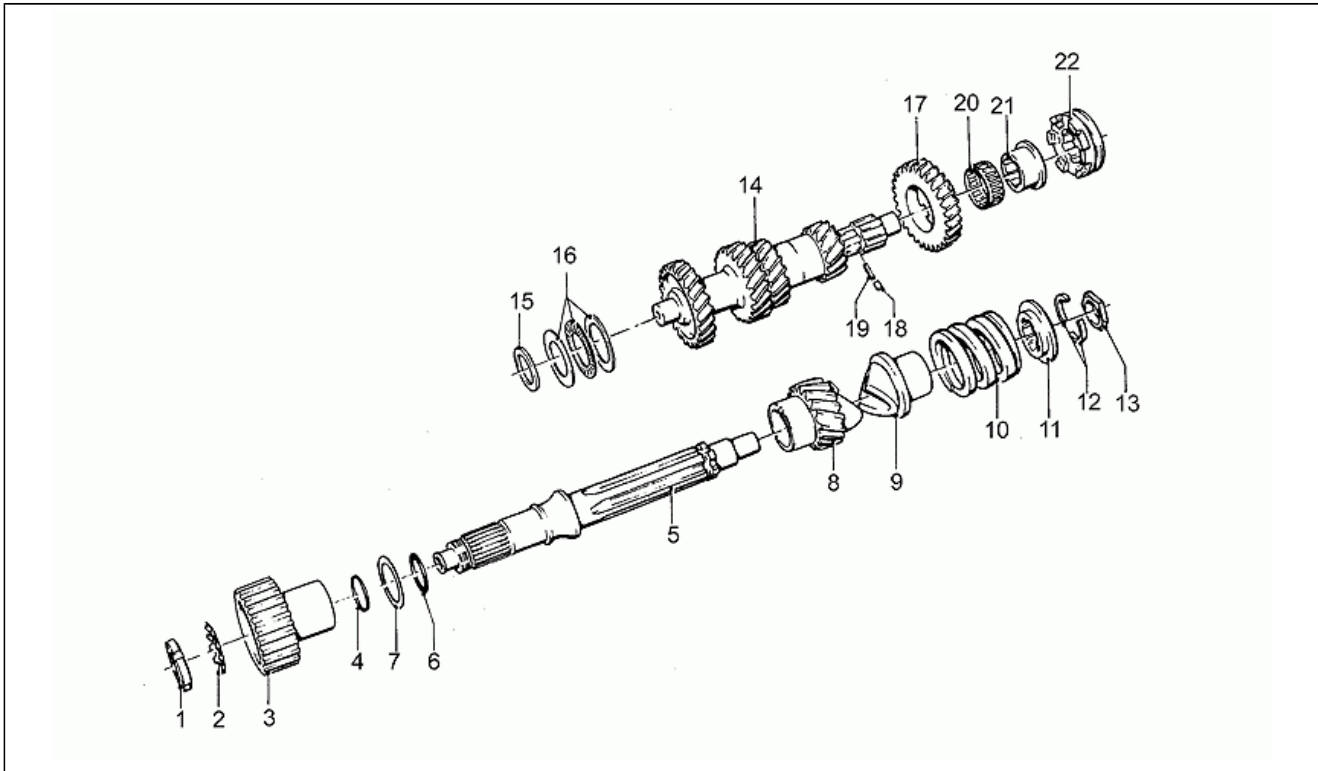
Pos.	Code	Description	Q.ty	Variants
1	GU14213612	Driven shaft	1	
2	GU14217410	Nut	1	
3	GU43083810	Shim 17,25x27x0,5	2	
4	GU14215400	Clearance washer 17,1x30	1	
5	GU14215110	Gear 4a Z=20	1	
6	GU92259017	Ring 4a	1	
7	GU92251022	Roller cage 4a A.S.	1	
8	GU14231012	Sliding sleeve 3a-4a	1	
9	GU14232512	Hose	1	
10	GU14218011	Washer 25x40x3	1	
11	GU14214810	Gear 3a Z=22	1	
12	GU14213001	Bush 1a-2a-3a AS	3	
13	GU14214510	Gear 2a Z=25	1	
14	GU14219310	Nut	1	
15	GU92295702	Ball	1	
16	GU14217300	Washer 22,1x32x2	1	
17	GU14215213	Gear 5a AS Z=21	1	
18	GU14214210	Gear 1a Z=28	1	
19	GU14230711	Sliding sleeve 1a-2a	1	
20	GU14234405	Shift cam	1	
21	GU14235500	Washer 8,2x28x1	1	
22	GU55235000	Shim 0,6 mm	3	
22	GU55235001	Shim 0,8 mm	3	
22	GU55235002	Shim 1 mm	3	
22	GU55235003	Shim 1,2 mm	3	
23	GU14234300	Rod	1	
24	GU14234600	Pin	4	
25	GU14232400	Rod	1	

Assembly	ENGINE
Code	34.22
Description	Driven shaft
Revision	1



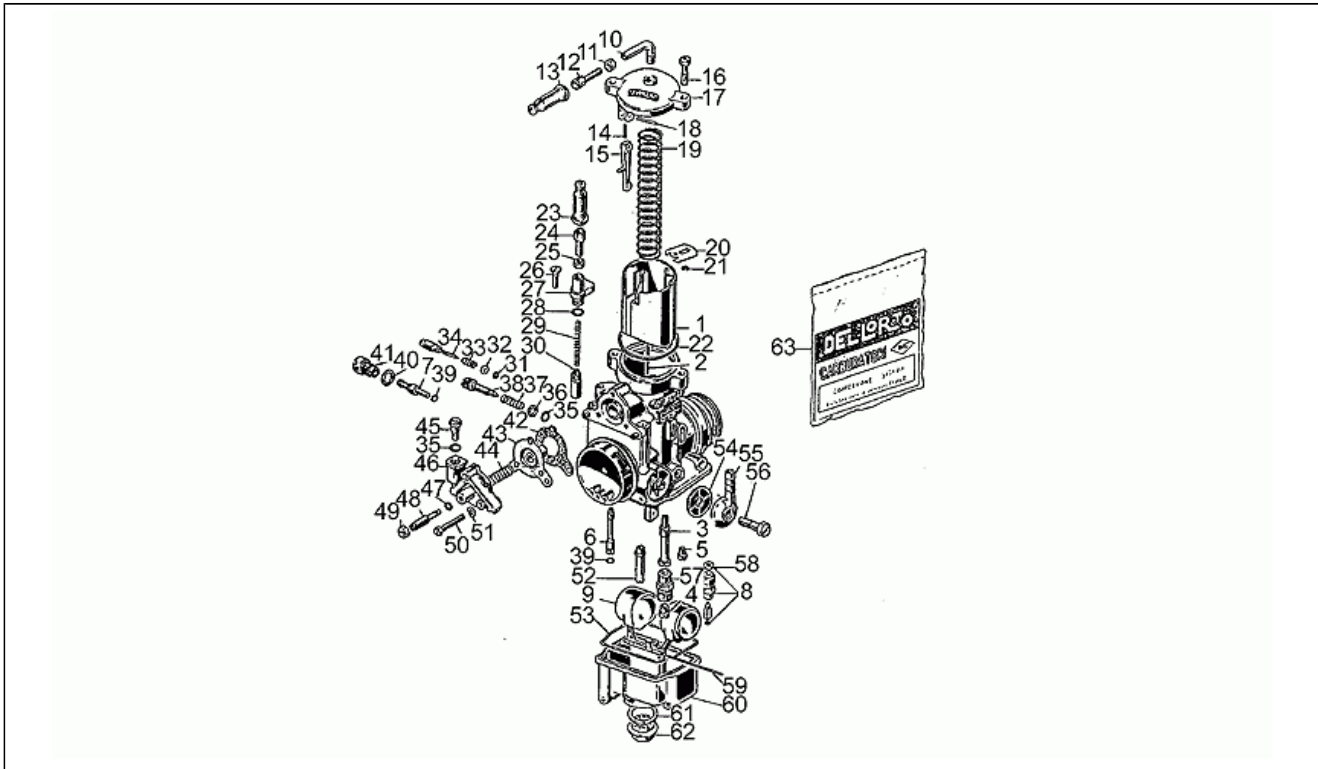
Pos.	Code	Description	Q.ty	Variants
26	GU14230501	Fork 1a-2a-3a-4a	2	
27	GU14231201	Fork 5a	1	
28	GU28236260	Preselection complete	1	
29	GU28238261	Spring	1	
30	GU98052325	Screw	1	
31	GU95021106	Notched washer	1	
32	GU19258220	Shift lever	1	
33	GU95500222	Split pin	1	
34	GU92630106	Nut M6x1	1	
35	GU95129110	Washer	2	
36	GU95770265	Pin	1	
37	GU12626800	Fork	1	
38	GU92602206	Nut	1	
39	GU28257510	Change gear tie rod compl.	1	
40	GU14251001	Rubber spacer	1	
41	GU30250810	Gear lever	1	
42	GU28252010	Bush	2	
43	GU92701120	Nut	1	
44	GU95100409	Washer	2	
45	GU30252360	Screw	1	
46	GU90706219	O-ring 21,95x1,78	1	
47	GU28258160	Fork	1	
48	GU60013800	Spring washer	1	
49	GU90706108	O-ring	1	
50	GU92251030	Roller cage 30x35x13	3	
51	GU90706203	O-ring 20,24X2,62	1	

Assembly	ENGINE
Code	34.24
Description	Gear box
Revision	1



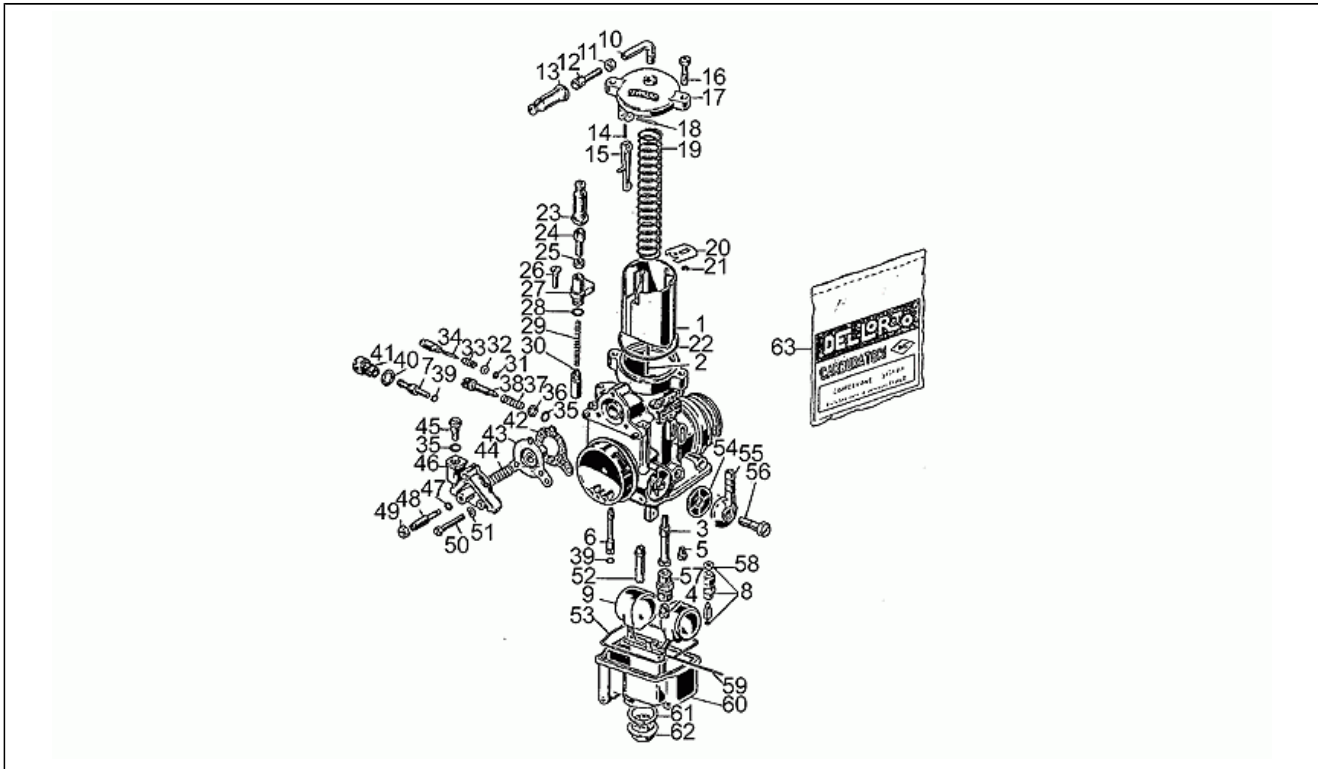
Pos.	Code	Description	Q.ty	Variants
1	GU93601022	Ring nut	1	
2	GU95028022	Washer 22x20x3,9	1	
3	GU14081811	Clutch gearing	1	Technical Specifications: Exhausted[E], Order 000299993500[O2]
4	GU90706235	O-ring 23,52x1,78	1	
5	GU14210702	Clutch shaft	1	
6	GU90706203	O-ring 20,24x2,62	1	
7	GU14218401	Oil-spreading washer 25,1x36x0,5	1	
8	GU14211110	Gear Z=17	1	
9	GU14211201	Hose	1	
10	GU13211500	Belleville spring	8	
11	GU14211600	Disc	1	
12	GU12211700	Half ring	2	
13	GU14219401	Spacer	1	
14	GU14210513	Primary gear shaft	1	
15	GU18211050	Thrust washer sp.2	1	
15	GU18211051	Thrust washer sp.2,1	1	
15	GU18211052	Thrust washer sp.2,2	1	
15	GU18211054	Thrust washer sp.2,4	1	
16	GU92258525	Roller bearing	1	
17	GU14212013	Gear 5a Z=28	1	
18	GU92296750	Roller	1	
19	GU94321051	Spring	1	
20	GU92251030	Roller cage 30x35x13	1	
21	GU14212210	Bush 5a AP	1	
22	GU14231510	Sliding sleeve 5a	1	

Assembly	ENGINE
Code	34.25
Description	Carburettors
Revision	1



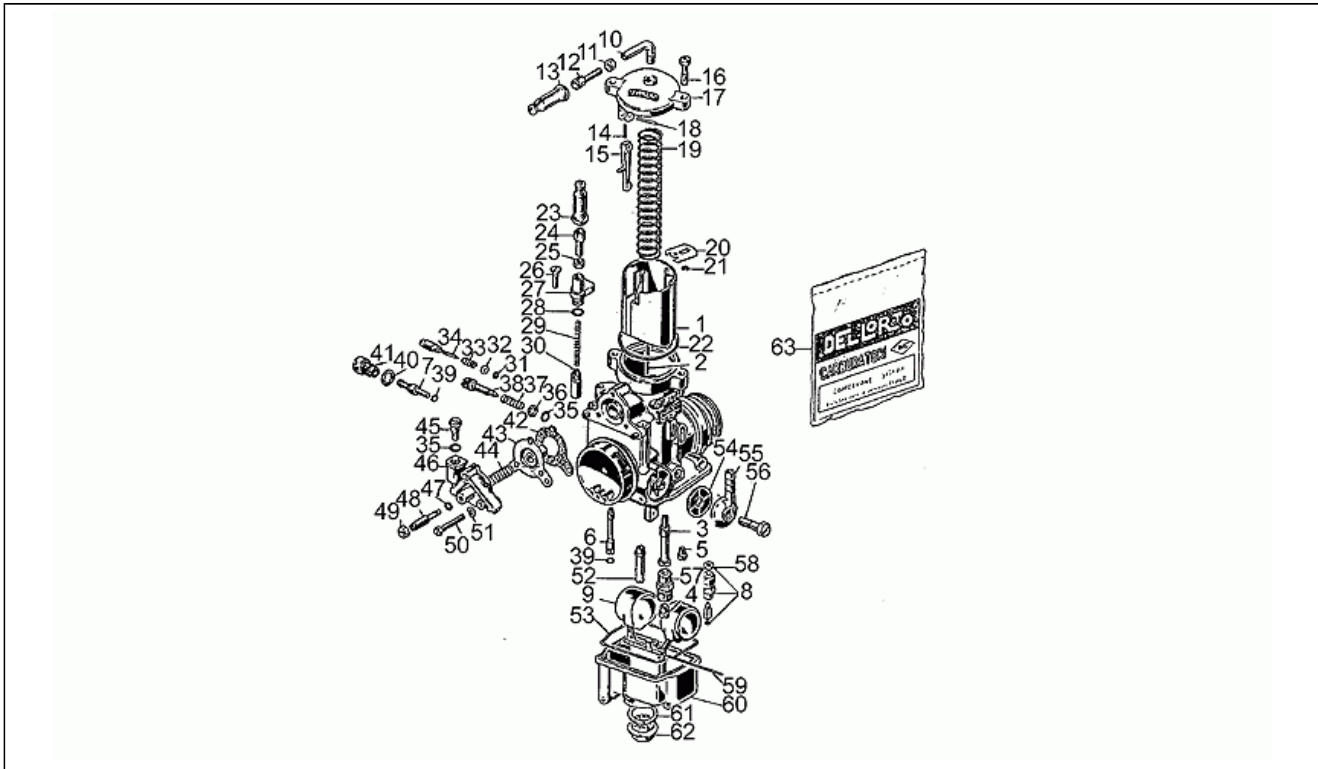
Pos.	Code	Description	Q.ty	Variants
1	GU28937511	Gas valve 50/3	1	Technical Specifications:Del'Orto 855350364[DO1]
2	GU28937711	Conical pin K23	1	Technical Specifications:Del'Orto 85302308[DO2]
3	GU28935511	Needle valve AB 264	1	Technical Specifications:Del'Orto 854026428[DO3]
4	GU28935711	Main jet 130	1	Technical Specifications:Del'Orto 641313002[DO4]
5	GU66935910	Idle jet 50	1	Technical Specifications:Del'Orto 14862002[DO5]
6	GU17936067	Starter jet 75	1	Technical Specifications:Del'Orto 77467502[DO6]
7	GU28939011	Pump jet 38	1	Technical Specifications:Del'Orto 78513802[DO7]
8	GU17939167	Needle valve 250	1	Technical Specifications:Del'Orto 864925033[DO8]
9	GU14933000	Float	1	Technical Specifications:Del'Orto 74500180[DO9]
10	GU49938900	Pipe	1	Technical Specifications:Del'Orto 36980035[DO10]
11	GU19938880	Nut	1	Technical Specifications:Del'Orto 16920027[DO11]
12	GU53937200	Wire tensioner screw	1	Technical Specifications:Del'Orto 14810037[DO12]
13	0000000	Tyre 110/90"	1	Technical Specifications:Ordinare 000289399110[O]
14	GU14938050	Spring	1	Technical Specifications:Del'Orto 74150061[DO13]
15	0000000	Tyre 110/90"	1	Technical Specifications:Del'Orto 85220026[DO14]
16	GU14934650	Screw	1	Technical Specifications:Del'Orto 8540036[DO15]
17	0000000	Tyre 110/90"	1	Technical Specifications:Del'Orto 109220053[DO16]
18	0000000	Tyre 110/90"	1	Technical Specifications:Del'Orto 109240022[DO17]
19	GU17937167	Spring	1	Technical Specifications:Del'Orto 85500061[DO18]
20	0000000	Tyre 110/90"	1	Technical Specifications:Del'Orto 103480021[DO19]
21	0000000	Tyre 110/90"	1	Technical Specifications:Del'Orto 95960021[DO20]
22	0000000	Tyre 110/90"	1	Technical Specifications:Ordinare 000289399110[O]
23	0000000	Tyre 110/90"	1	Technical Specifications:Ordinare 000289399110[O]
24	GU12937200	Wire tensioner screw	1	Technical Specifications:Del'Orto 11040037[DO21]
25	GU12937300	Nut	1	Technical Specifications:Del'Orto 16910027[DO22]
26	GU13937900	Screw	1	Technical Specifications:Del'Orto 77450036[DO23]
27	GU17937450	Starter device cover	1	Technical Specifications:Del'Orto 82950006[DO24]
28	0000000	Tyre 110/90"	1	Technical Specifications:Ordinare 000289399110[O]

Assembly	ENGINE
Code	34.25
Description	Carburettors
Revision	1



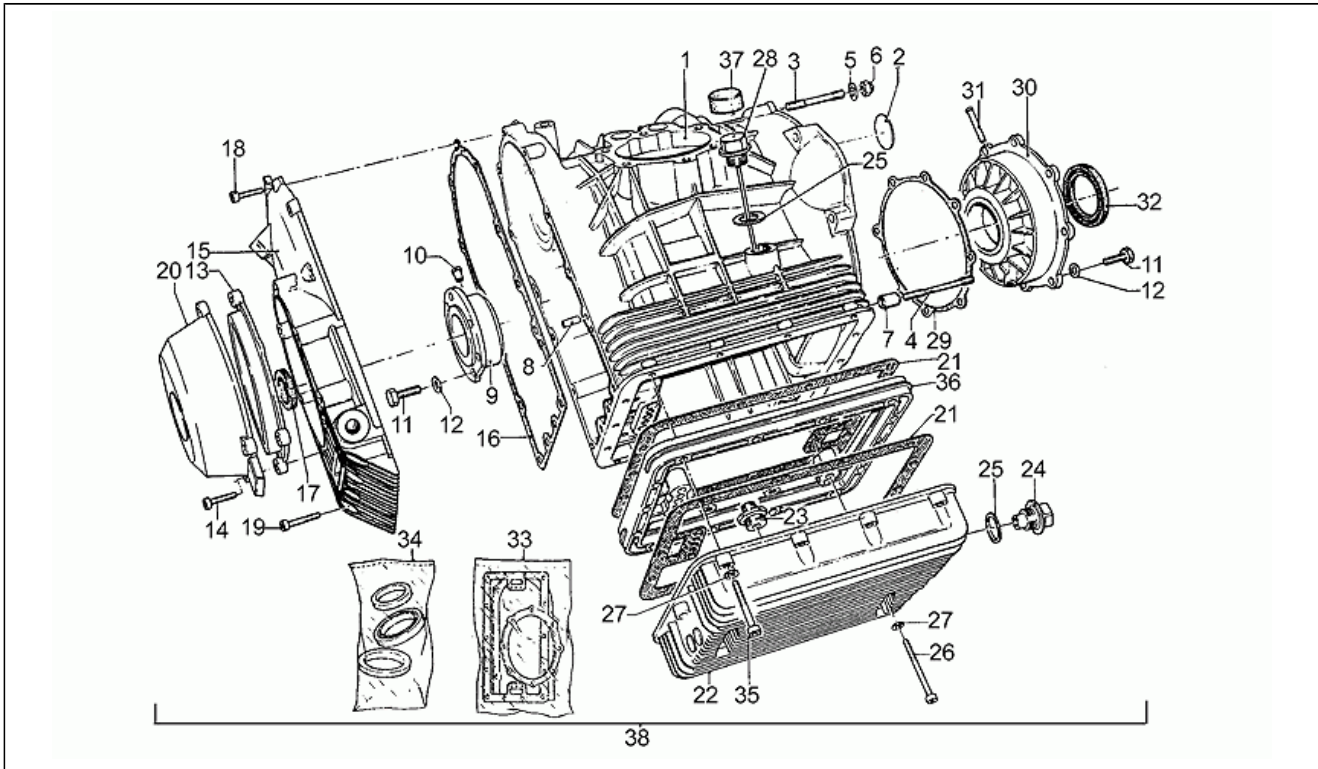
Pos.	Code	Description	Q.ty	Variants
29	GU13937600	Spring	1	Technical Specifications: Dell'Orto 40430061[DO25]
30	GU13937800	Starter valve	1	Technical Specifications: Dell'Orto 32380064[DO26]
31	0000000	Tyre 110/90"	1	Technical Specifications: Ordinare 000289399110[O]
32	GU65933700	Flat washer	1	Technical Specifications: Dell'Orto 82600023[DO27]
33	GU13936300	Spring	1	Technical Specifications: Dell'Orto 74460061[DO28]
34	GU13936200	Adj.min.eng.speed screw	1	Technical Specifications: Dell'Orto 110840037[DO29]
35	0000000	Tyre 110/90"	1	Technical Specifications: Ordinare 000289399110[O]
36	GU14931650	Flat washer	1	Technical Specifications: Dell'Orto 46500023[DO30]
37	GU13936700	Spring	1	Technical Specifications: Dell'Orto 46700061[DO31]
38	GU13936600	Gas valve adjuster screw	1	Technical Specifications: Dell'Orto 76730037[DO32]
39	0000000	Tyre 110/90"	1	Technical Specifications: Ordinare 000289399110[O]
40	0000000	Tyre 110/90"	1	Technical Specifications: Ordinare 000289399110[O]
41	0000000	Tyre 110/90"	1	Technical Specifications: Dell'Orto 107470034[DO33]
42	0000000	Tyre 110/90"	1	Technical Specifications: Ordinare 000289399110[O]
43	GU14931050	Diaphragm	1	Technical Specifications: Dell'Orto 85550044[DO34]
44	GU14936950	Spring	1	Technical Specifications: Dell'Orto 76260061[DO35]
45	0000000	Tyre 110/90"	1	Technical Specifications: Dell'Orto 108000033[DO36]
46	GU14936850	Pump cover	1	Technical Specifications: Dell'Orto 85500067[DO37]
47	0000000	Tyre 110/90"	1	Technical Specifications: Ordinare 000289399110[O]
48	GU14936550	Screw	1	Technical Specifications: Dell'Orto 85390037[DO38]
49	GU14936450	Nut	1	Technical Specifications: Dell'Orto 85990027[DO39]
50	GU14936650	Screw	1	Technical Specifications: Dell'Orto 84280036[DO40]
51	GU13932900	Washer	1	Technical Specifications: Dell'Orto 50110023[DO41]
52	GU14931350	Intake valve	1	Technical Specifications: Dell'Orto 85570033[DO42]
53	0000000	Tyre 110/90"	1	Technical Specifications: Ordinare 000289399110[O]
54	GU43934000	Fuel filter	1	Technical Specifications: Dell'Orto 61090029[DO43]
55	GU13934600	Fuel pipe union cap	2	Technical Specifications: Dell'Orto 92500038[DO44]
56	GU10934900	Cap fixing screw	1	Technical Specifications: Dell'Orto 45680036[DO45]

Assembly	ENGINE
Code	34.25
Description	Carburettors
Revision	1



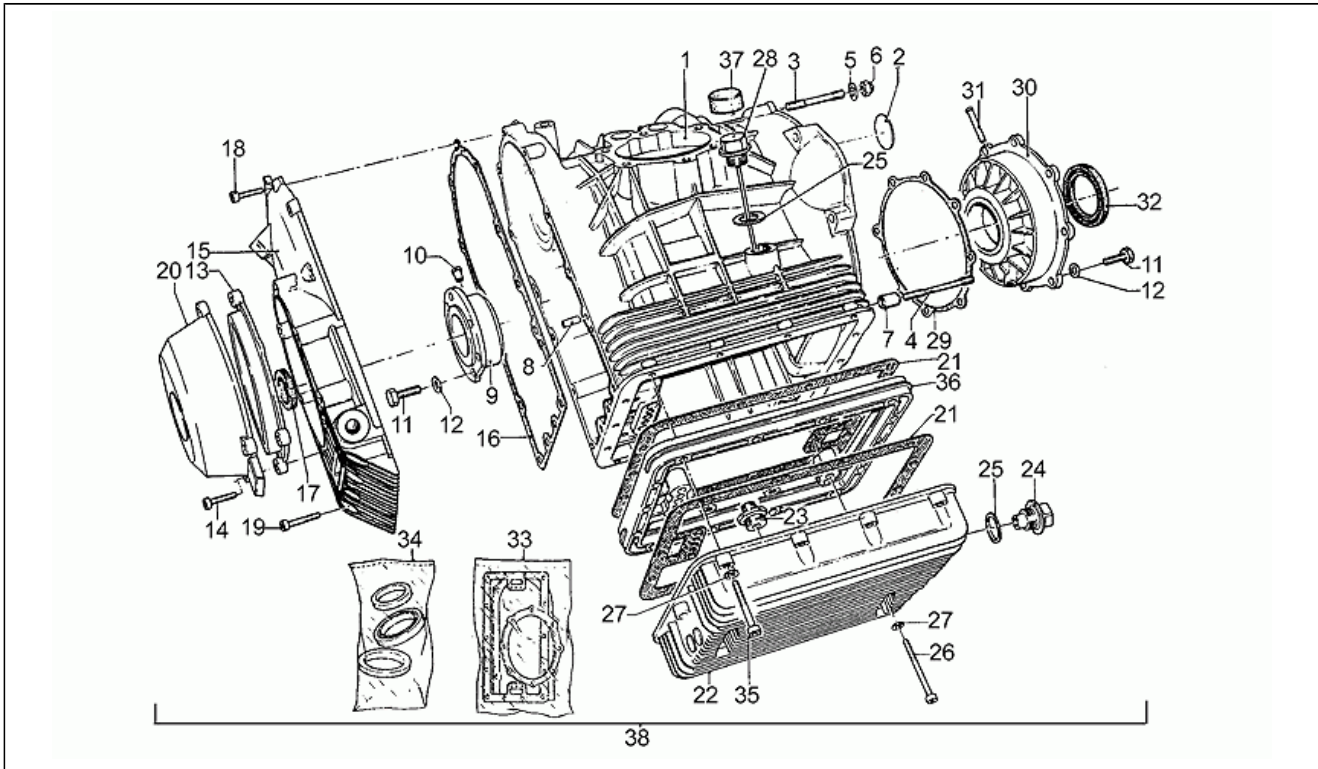
Pos.	Code	Description	Q.ty	Variants
57	0000000	Tyre 110/90"	1	Technical Specifications: Dell'Orto 88850032[DO46]
58	0000000	Tyre 110/90"	1	Technical Specifications: Ordinare 000289399110[O]
59	GU13933100	Float pin	1	Technical Specifications: Dell'Orto 73460022[DO47]
60	0000000	Tyre 110/90"	1	Technical Specifications: Dell'Orto 105570096[DO48]
61	0000000	Tyre 110/90"	1	Technical Specifications: Ordinare 000289399110[O]
62	0000000	Tyre 110/90"	1	Technical Specifications: Dell'Orto 102380034[DO49]
63	GU28939911	Carburettor gasket set	1	Technical Specifications: Dell'Orto 52559[DO50]

Assembly	ENGINE
Code	34.26
Description	Crankcase
Revision	1



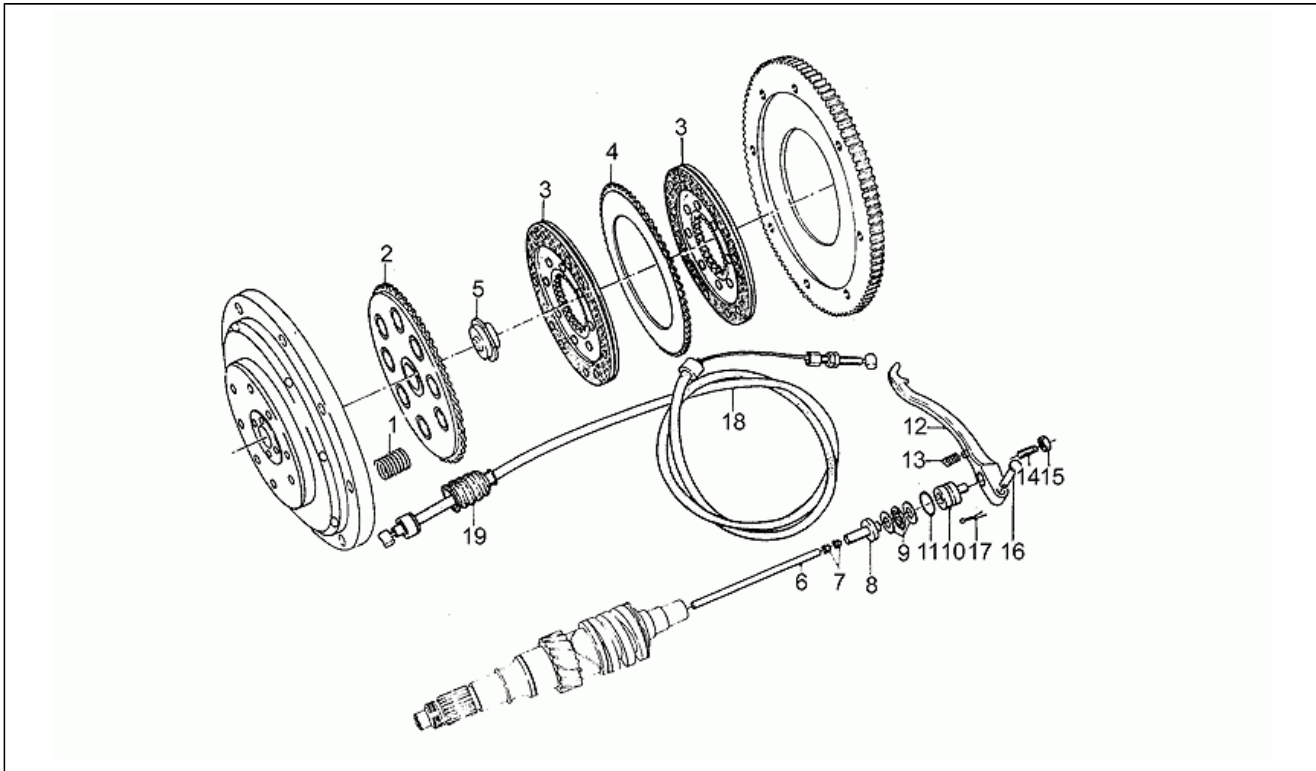
Pos.	Code	Description	Q.ty	Variants
1	GU14000765	Crankcase	1	
2	GU12003900	Disc	1	
3	GU96508066	Stud bolt M8X66	4	
4	GU96508075	Stud bolt M8x75	2	
5	GU95004208	Washer	5	
6	GU92602208	Nut M8X1,25	6	
7	GU12018900	Coupling bush	2	
8	GU95512081	Pin	2	
9	GU14011900	Complete flange	1	Technical Specifications: Tolerance standard[std]
9	GU14011901	Flange min.0,2 mm	1	Technical Specifications: Tolerance min.[M]
10	GU12012200	Pin	1	
11	GU98054425	Screw M8X25	14	
12	GU61270300	Spring washer 8x15x0,3	14	
13	GU18001150	Flange	1	
14	GU98310630	Screw	4	
15	GU14001400	Timing system cover	1	
16	GU12001200	Cover gasket	1	
17	GU90402840	Gasket ring 28x38x7	1	
18	GU98622325	Hex socket screw M6X25	8	
19	GU98620335	Screw M6X35	6	
20	GU18001650	Cover	1	
21	GU14003600	Sump gasket	2	
22	GU14003500	Motor oil cup	1	
23	GU14003800	Oil filter union 61 mm	1	
24	GU12003702	Oil unload plug	1	
25	GU95100709	Gasket 20,1x28x2	1	
26	GU98052390	Screw	4	
27	GU95004206	Washer 6,15x11x0,8	18	

Assembly	ENGINE
Code	34.26
Description	Crankcase
Revision	1



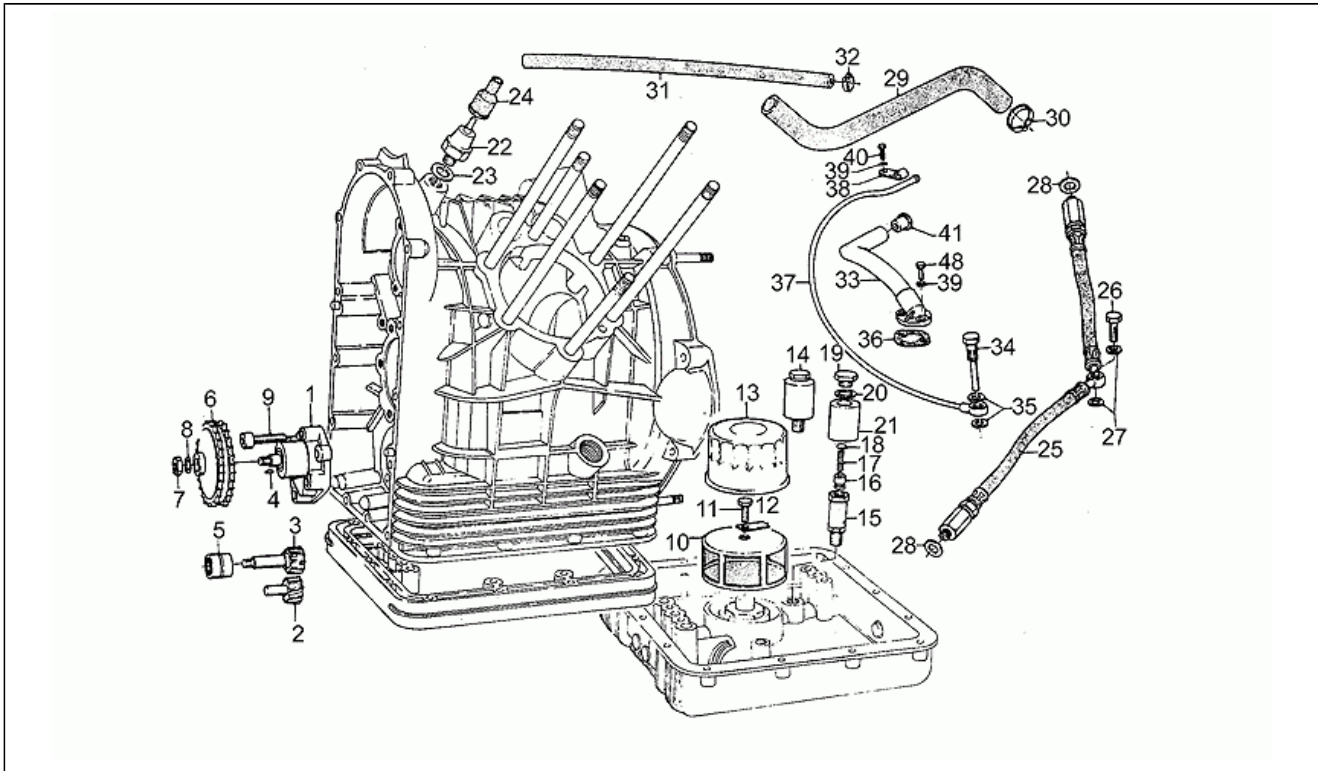
Pos.	Code	Description	Q.ty	Variants
28	GU28004950	Oil filler plug	1	
29	GU12011800	Gasket	1	
30	GU12011400	Complete flange	1	Technical Specifications: Tolerance standard[std]
30	GU12011401	Flange min.0,2 mm	1	Technical Specifications: Tolerance min.[M]
30	GU12011402	Flange min.0,4 mm	1	Technical Specifications: Tolerance min.[M]
30	GU12011403	Flange min.0,6 mm	1	Technical Specifications: Tolerance min.[M]
31	GU12011700	Pin	1	
32	GU90405367	Gasket ring	1	
33	GU28999050	Engine set gasket	1	
34	GU17999550	Engine oil seal kit	1	
35	GU98620355	Screw M6X60	14	
36	GU14003240	Motor oil flange	1	
37	GU39616800	Plug	1	
38	GU28991045	Engine w/o gearbox	1	

Assembly	ENGINE
Code	34.27
Description	Clutch
Revision	1



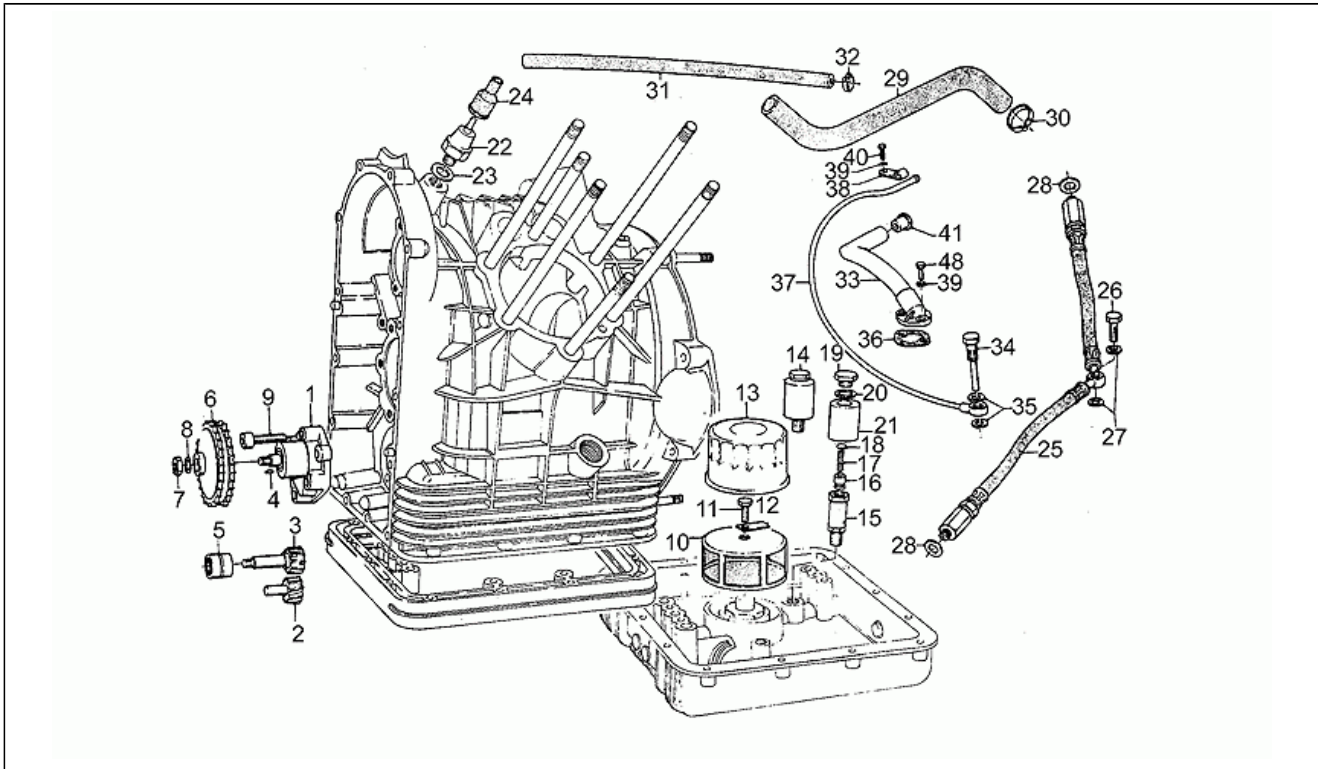
Pos.	Code	Description	Q.ty	Variants
1	GU13084100	Clutch spring	8	
2	GU12082901	Disc	1	
3	GU28084460	Clutch disc	2	Technical Specifications: Exhausted[E], Order 000299993500[O2]
4	GU12082300	Intermediate plate	1	
5	GU12082800	Cup	1	
6	GU14085700	Rod	1	
7	GU14085900	Bush	2	
8	GU14086000	Inner body	1	
9	GU12087001	Thrust bearing	1	
10	GU14086100	Outer body	1	
11	GU90706170	O-ring 17,13x2,62	1	
12	GU14090202	Clutch release shaft	1	
13	GU94321105	Lever return spring	1	
14	GU14090400	Adjuster screw	1	
15	GU92602508	Nut M8X1	1	
16	GU95780271	Pin 7x39	1	
17	GU95500222	Split pin	1	
18	GU28093011	Clutch cable	1	
19	GU17093850	Cap	1	

Assembly	ENGINE
Code	34.29
Description	Oil pump
Revision	1



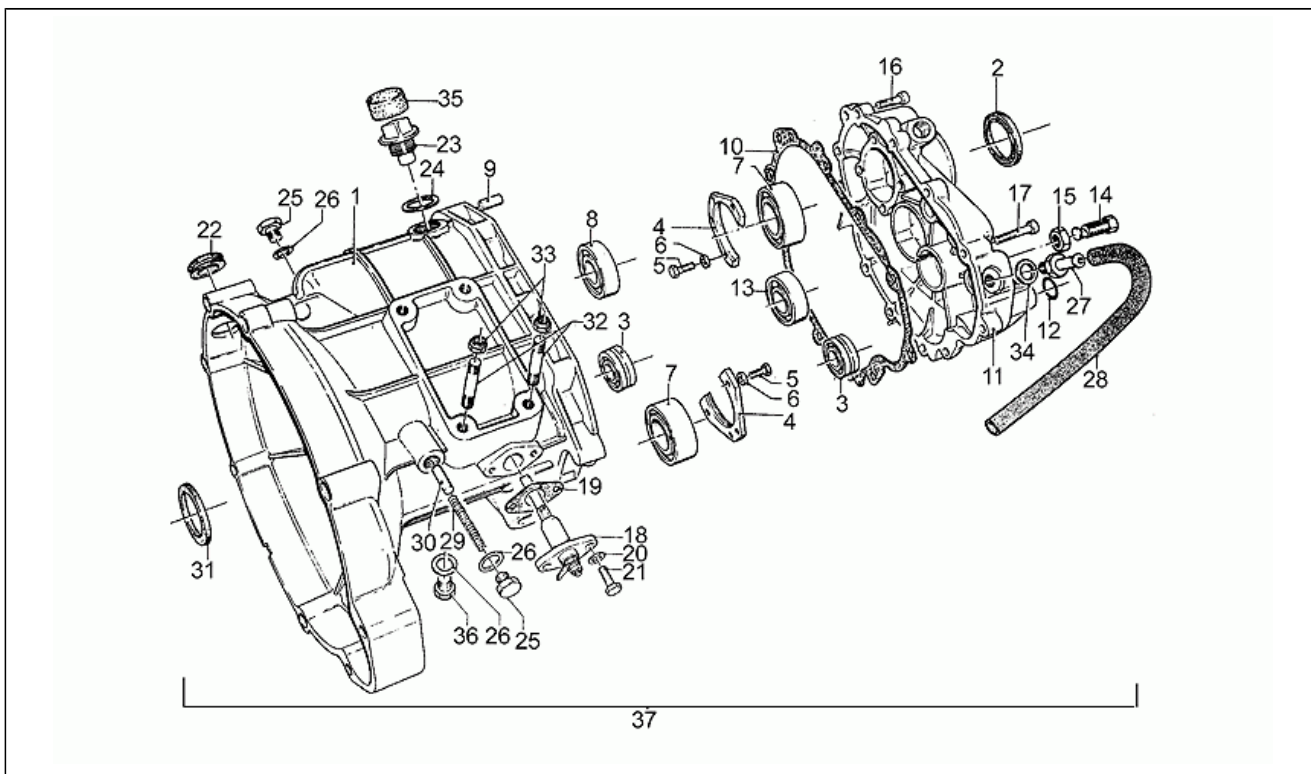
Pos.	Code	Description	Q.ty	Variants
1	GU30146400	Oil pump	1	
2	GU13148400	Driven gear	1	
3	GU13147800	Drive gear	1	
4	GU13148300	Transmission key	1	
5	GU92252210	Roller bearing 10x22x20	1	
6	GU30147700	Oil pump gear	1	Technical Specifications: From engine VR16996[M2]
6	GU30147701	Oil pump gear	1	Technical Specifications: Up to engine VR16995[M1]
7	GU92602308	Nut	1	
8	GU95120085	Spring washer	1	
9	GU98622430	Screw M8X30	4	
10	GU14152200	Oil filter	1	
11	GU98054316	Hex screw M6X16	1	
12	GU95187006	Plate	1	
13	GU14153000	Oil filter 61 mm	1	
14	GU03158200	Oil valve cpl.	1	
15	GU10158701	Valve body	1	
16	GU12150900	Piston	1	
17	GU94321072	Valve spring	1	
18	GU12150700	Bottom	1	
19	GU12159000	Plug	1	
20	GU95100523	Washer 14,5X20X1	2	
21	GU14158800	Cup	1	
22	GU17768750	Pressure sensor	1	
23	GU12006400	Gasket 12,25	1	
24	GU12717600	Cap	1	
25	GU01153600	Pipe	1	
26	GU95990037	Screw	1	
27	GU12154200	Gasket 8,25x15x1	2	

Assembly	ENGINE
Code	34.29
Description	Oil pump
Revision	1



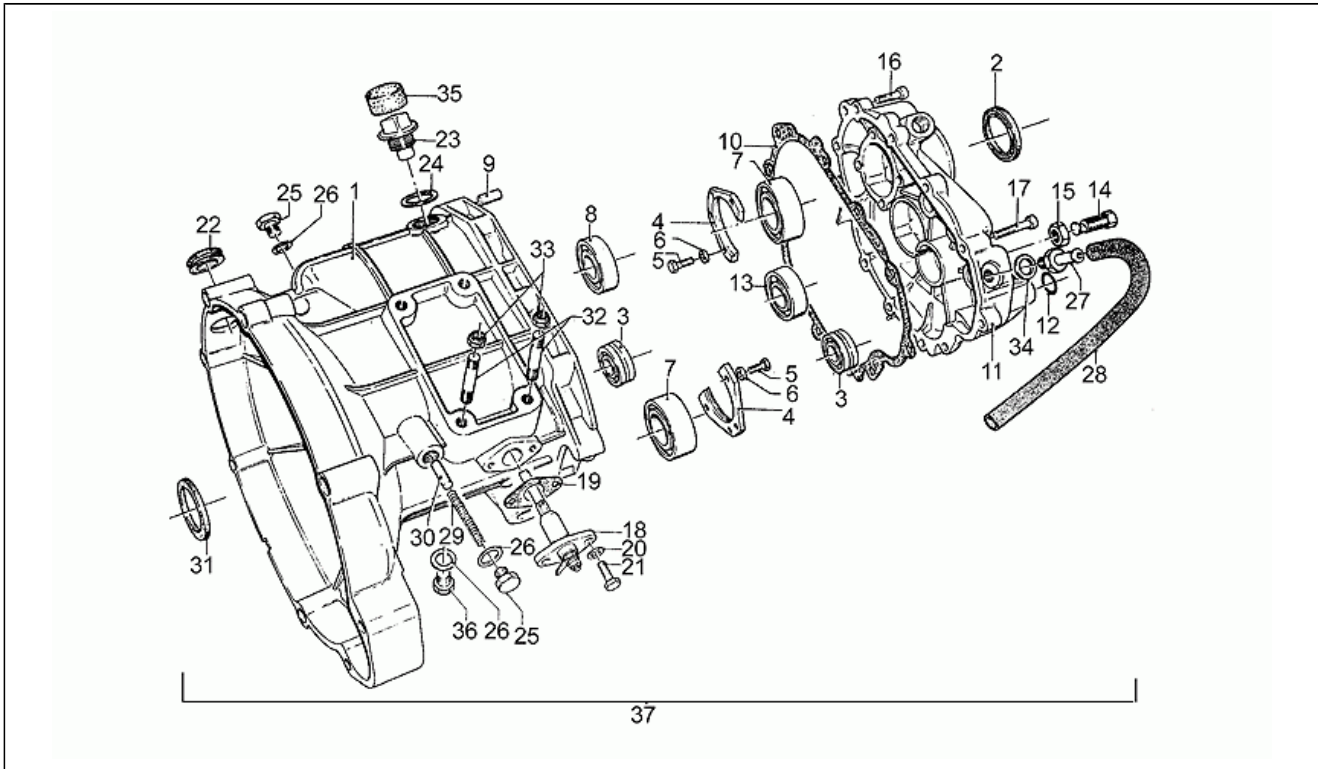
Pos.	Code	Description	Q.ty	Variants
28	GU25656102	Gasket	2	
29	GU28157450	Pipe	1	
30	GU28157850	Hose clamp	1	
31	GU00823956080	Rubber pipe 12,5X7,8 5/16"	1	
32	GU28157950	Hose clip 12,5x8	1	
33	GU01007200	Breather pipe	1	
34	GU12006600	Screw	1	
35	GU12006400	Gasket 12,25	1	
36	GU12007600	Gasket	1	
37	GU17006250	Breather	1	
38	GU12006500	Hose clamp	1	
39	GU95120065	Washer 6,5x11x2	3	
40	GU98054318	Screw	3	
41	GU28150560	Oil breather valve	1	

Assembly	ENGINE
Code	34.30
Description	Transmission cage
Revision	1



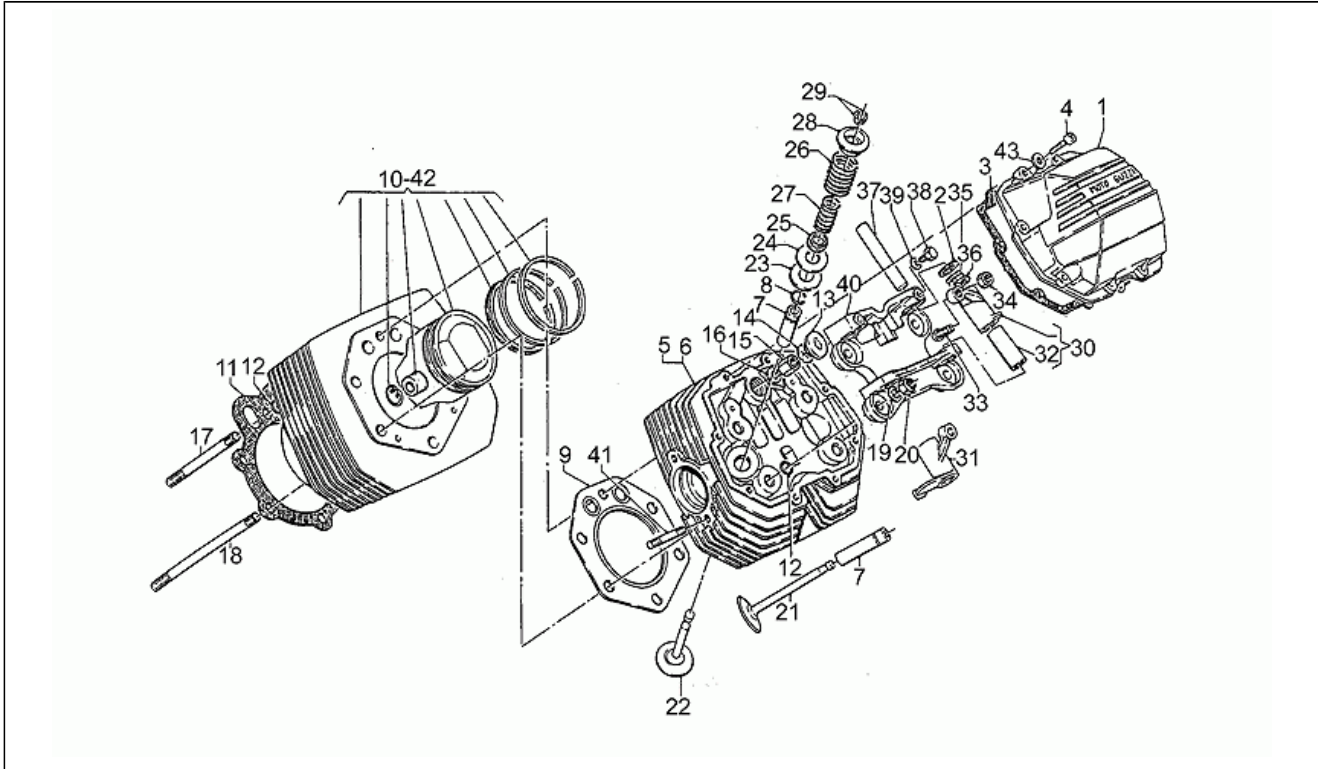
Pos.	Code	Description	Q.ty	Variants
1	GU14200211	Gearbox, blank	1	
2	GU90403547	Gasket ring 35x47x7	1	
3	GU92256218	Roller bearing 17x35x15	2	
4	GU14213803	Plate	2	
5	GU98622316	Hex socket screw M6X16	6	
6	GU14217901	Washer 6,4x10x0,7	6	
7	GU92218424	Ball bearing AF/AS 25x52	2	
8	GU92234717	Roller bearing AS 17x47x14	1	
9	GU95512081	Pin	2	
10	GU14201110	Gasket	1	
11	GU18200802	Box cover, blank	1	
12	GU90706140	O-ring 13,95x2,92	1	
13	GU92201417	Ball bearing AP 17x47x14	1	
14	GU14237800	Screw	1	
15	GU92602512	Low nut M12x1,25	1	
16	GU98622325	Hex socket screw M6X25	9	
17	GU98620335	Screw M6X35	1	
18	GU12207200	Neutral indicator switch	1	
19	GU12207700	Gasket	1	
20	GU95000206	Washer	2	
21	GU98054316	Hex screw M6X16	2	
22	GU93180220	Plug	1	
23	GU12003702	Oil unload plug	1	
24	GU95100709	Gasket 20,1x28x2	1	
25	GU95980610	Plug	1	
26	GU10528900	Gasket	3	
27	GU14204955	Oil breather valve	1	
28	GU00823956080	Rubber pipe 12,5X7,8 5/16"	1	

Assembly	ENGINE
Code	34.30
Description	Transmission cage
Revision	1



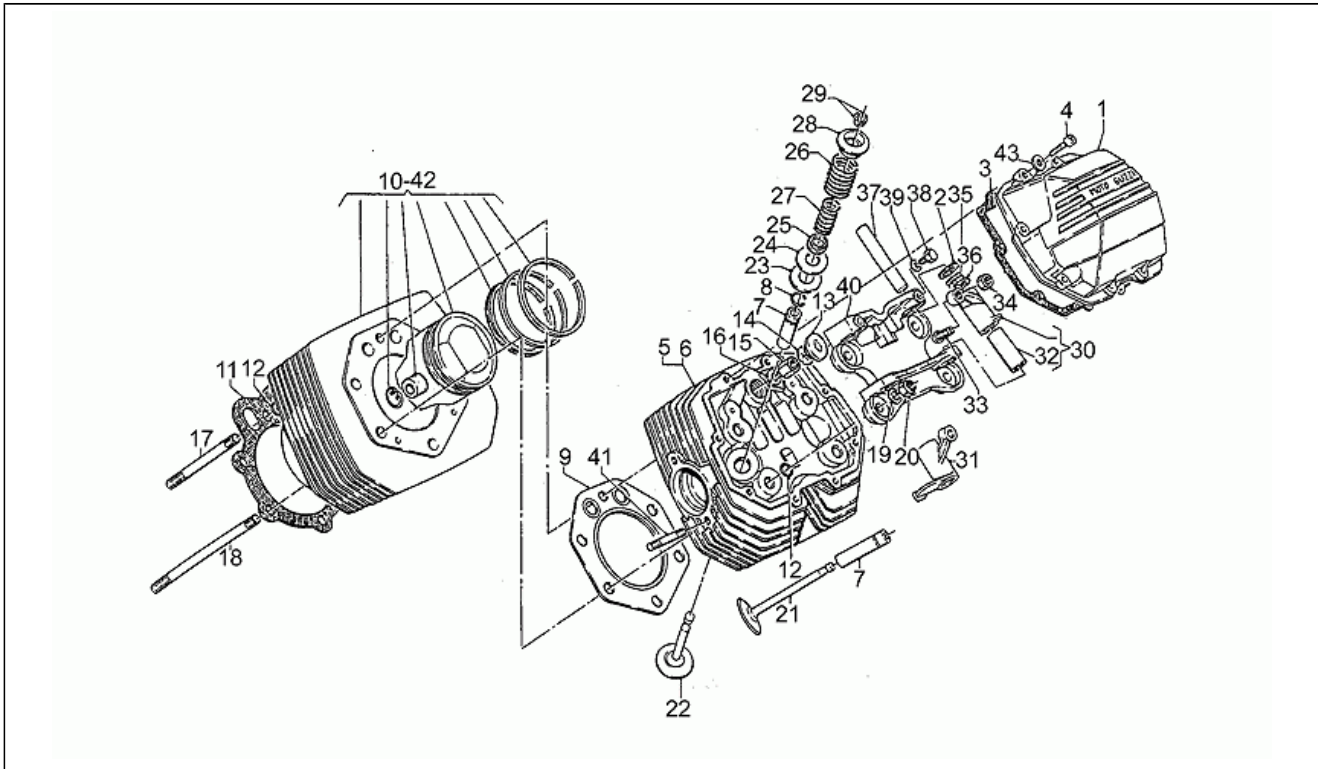
Pos.	Code	Description	Q.ty	Variants
29	GU94321067	Lever return spring	1	
30	GU55234700	Pawl	1	
31	GU90403548	Gasket ring 35x47x7/6,5	1	
32	GU96508032	Stud bolt	2	
33	GU92630108	Nut	1	
34	GU12154200	Gasket 8,25x15x1	1	
35	GU39616800	Plug	1	
36	GU95980214	Oil level plug	1	
37	GU28991560	Gearbox assy., blank	1	

Assembly	ENGINE
Code	34.31
Description	Cylinder head
Revision	1



Pos.	Code	Description	Q.ty	Variants
1	GU28023510	Head cover	2	
2	GU10032700	Washer 15,2x26x0,5	4	
3	GU14023760	Cover gasket	2	
4	GU98612325	Screw M6x25	12	
5	GU28022100	RH head	1	
6	GU28022200	LH head	1	
7	GU13036801	Exhaust valve guide	4	
8	GU90353016	Snap ring	4	
9	GU28022000	Gasket	2	
10	GU28060245	RH cylinder assy., blank	1	
11	GU14020865	Gasket	2	
12	GU90706094	O-ring 9x2	12	
13	GU12022600	Oil plug	2	
14	GU90706203	O-ring 20,24X2,62	2	
15	GU13021900	Column nut	2	
16	GU95129180	Washer 10,5X18X0,8	2	
17	GU12021800	Stud bolt	4	
18	GU12021700	Stud bolt	8	
19	GU14018400	Washer 10,5X21X1	10	
20	GU92603010	Nut M10X1,5	10	
21	GU29036050	Intake valve	2	
22	GU29036150	Exhaust valve	2	
23	GU13037200	Washer 14,2x31x1	4	
24	GU14037300	Washer 14,2x31x0,3	10	
25	GU13037000	Lower cup	4	
26	GU13037400	Outer spring	4	
27	GU13037600	Inner spring	4	
28	GU14038000	Upper cup	4	

Assembly	ENGINE
Code	34.31
Description	Cylinder head
Revision	1



Pos.	Code	Description	Q.ty	Variants
29	GU12038100	Valve half-cone	8	
30	GU14030201	RH rocker arm assy	2	
31	GU14030401	LH rocker arm assy	2	
32	GU91111511	Bush 15x18x43	4	
33	GU17034050	Adjuster screw	4	
34	GU10034100	Nut	4	
35	GU94322215	Spring	4	
36	GU90118152	Washer 15,2x26x1	8	
37	GU12031800	Rocker shaft	4	
38	GU98054316	Hex screw M6X16	4	
39	GU95120065	Washer 6,5x11x2	4	
40	GU14034865	Rocker arm support	2	
41	GU96508042	Stud bolt	4	
42	GU28060145	LH cylinder assy., blank	1	
43	GU95001205	Washer	16	